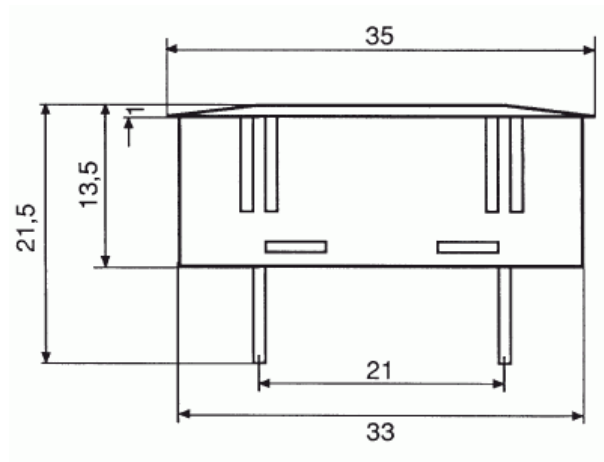


Rectangular hole

UR/F



The light indicator is fitted in the hole from the front of the panel.

Working voltage	6V ; 12V ; 24V ; 48V ; 110V ; 250V : 400V
Max temperature	120°C ; 150°C
Hole dimensions	34,2 (+0,1-0) x 10,5 (+0,1-0)
Way of locking on the panel	self locking
Lamp type	incandescent lamp ; neon/fluorescent lamp ; LED lamp lamp
Connection way	male faston 6,3x0,8mm ; male faston 4,8x0,8mm
Apprivazioni	CE