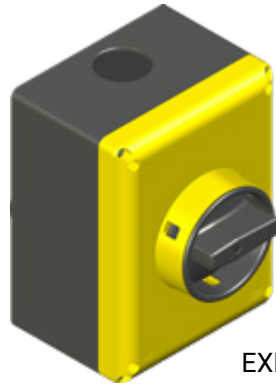




EXB9



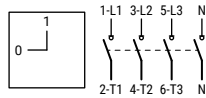
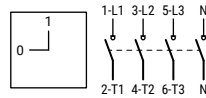
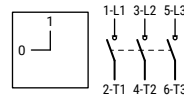
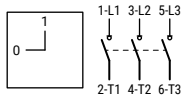
EXB0

SE63...EXB9/EXB0
SE80...EXB9/EXB0
SE100...EXB9/EXB0

EXPLOSION PROOF EQUIPMENT

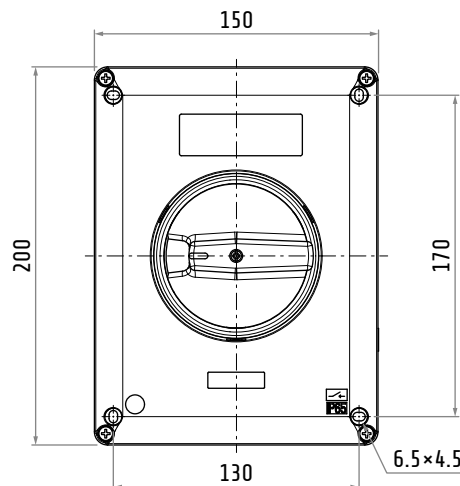
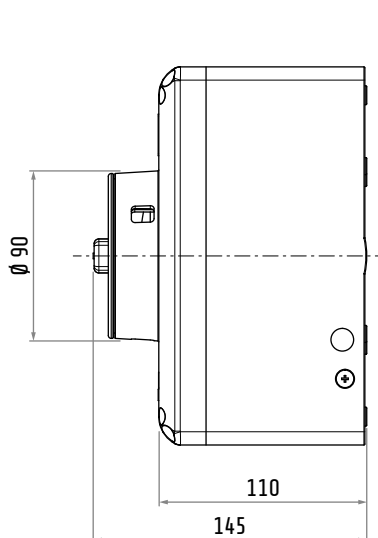
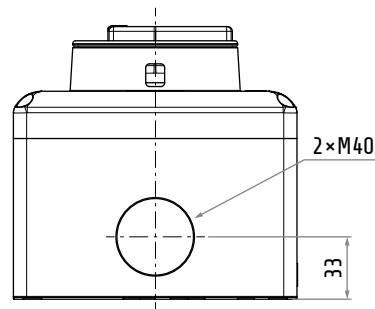
REGOLUS EX SWITCH DISCONNECTORS
(63 A / 80 A / 100 A)

Series	3 poles (EXB9)	3 poles (EXB0)	4 poles (EXB9)	4 poles (EXB0)	Ith	Ithe	AC-21A	AC-23A
							690 V	400 V
SE63	SE630003BEXB9	SE630003BEXB0	SE630004BEXB9	SE630004BEXB0	63 A *	86 A *	63 A	50 A
SE80	SE800003BEXB9	SE800003BEXB0	SE800004BEXB9	SE800004BEXB0	86 A *	86 A *	80 A	60 A
SE100	SE100003BEXB9	SE100003BEXB0	SE100004BEXB9	SE100004BEXB0	100 A	86 A	100 A	67 A





* IMQ values.

Marking




Dimensions in mm / illustrations NOT in scale

EQUIPMENT CLASSIFICATION IN ACCORDANCE WITH UTILIZATION ZONES

ATEX	2014/34/EU European Directive	 0051  II 2D Ex tb IIC T85°C Db		All the models of the series are verified to be in compliance with the follows: Apparatus Category 2 D, suitable for installation hazardous areas: Zone 21 and 22 (dust) according to EN/IEC 60079-10-2.					
IECEX	EN IEC 60079-0 EN IEC 60079-31	<table border="1"> <tr> <td>Ex tb</td> <td>IIC</td> <td>T85°C</td> <td>Db</td> <td>Dust</td> </tr> </table>		Ex tb	IIC	T85°C	Db	Dust	
Ex tb	IIC	T85°C	Db	Dust					
EAC Ex	TR TS 012/2011 GOST 31610.0 GOST R MEK 60079-31			TP TC 012/2011 ГОСТ 31610.0 ГОСТ Р МЭК 60079-31					
See IECEx scheme reference									
INMETRO	Certificate issued in according to Brazilian requirements attached to INMETRO's Rule n°. 179 issued on May 18th, 2010 n°. 270 issued on May 21th, 2011 n°. 89 issued on May 23th, 2012			Certificado emitido conforme requisitos da avaliação da conformidade de equipamentos elétricos para atmosferas explosivas, anexo às Portarias Inmetro n°. 179 de 18 de maio de 2010 n°. 270 de 21 de junho de 2011 n°. 89 de 23 de fevereiro de 2012					
See IECEx scheme reference									

ENCLOSURE SPECIFICATIONS

Material		aluminium
Color	SE...EXB9	black box, grey cover and black knob
	SE...EXB0	black box, yellow cover and black knob
Dimensions		150 × 200 × 110 mm
IP rating	EC 60079-0	IP65
Appliance class		class II (double insulation) 
Operating temperature		-20 ... +55°C
Locking facility	max 3 padlocks	in "0 - OFF" position
Opening		in "0 - OFF" position
Cable entry		2 × hole for M40 cable gland

SWITCH DISCONNECTOR SPECIFICATIONS

Switch disconnecter • General characteristics

Material group		EN 60947-1	II
Pollution grade		EN 60947-1	3
Flammability	live electrical parts	UL94	V0
Ambient temperature	operating storage		-25 ... +55°C -30 ... +70°C
Climate withstand		IEC 68 part 2-3 IEC 68 part 2-30	damp heat, steady state damp heat, cyclic
Connections	terminal block caliber	EN60947-1	A8
	terminal screw		M5
	tightening torque	EN60947-1 UL508	3 N·m 32 lb·in (3.6 N·m)
Connectable section	flexible conductors		6 ... 35 mm ²
Contacts			slow action double breaking
Opening angles			90°
Mechanical lifetime	@ 120 operations / hour		0.1 million cycles
Maximum altitude derating	up to 2000 m	voltage (V) power (A)	standard
	over 2000 m		< 1% each 100 m < 1% each 1000 m

Switch disconnecter • EN 60947-3 characteristics

		SE63	SE80	SE100
Rated operating voltage	U _e	690 V	690 V	690 V
Rated insulation voltage	U _i	690 V	690 V	690 V
Rated impulse withstand voltage (sectionable)	U _{imp}	8 kV	8 kV	8 kV
Rated thermal current	I _{th}	63 A	86 A	100 A
Rated enclosed thermal current	I _{the}	63 A	86 A	86 A
Frequency		50 Hz	50 Hz	50 Hz

Switch disconnecter • Alternate current

Rated operating current		le		SE63	SE80	SE100			
AC-21A	Switching of resistive loads, including moderate overloads		690 V	63 A	80 A	100 A			
AC-22A	Switching of mixed resistive and inductive loads, including moderate overloads		500 V 690 V	- 63 A	- 80 A	100 A 86 A			
AC-23A	Switching of motor loads or other highly inductive loads	3 phases - 3 poles	230 V 400 V 500 V 690 V	50 A 50 A 50 A 32 A	15 kW 30 kW 37 kW 30 kW	63 A 60 A 60 A 35 A	18.5 kW 33 kW 40 kW 33 kW	70 A 67 A 67 A 38 A	22 kW 37 kW 45 kW 37 kW
AC-3	Squirrel-cage motors: starting, switches off motors during running time	3 phases - 3 poles	230 V 400 V 500 V 690 V	40 A 40 A 40 A 25 A	11 kW 22 kW 30 kW 22 kW	50 A 50 A 50 A 27 A	15 kW 25 kW 33 kW 25 kW	60 A 55 A 55 A 32 A	18.5 kW 30 kW 37 kW 30 kW
AC-23A	Nominal breaking capacity (cosφ 0.45)		230 V 400 V 500 V 690 V	400 A 400 A 400 A 256 A	504 A 480 A 480 A 280 A	560 A 536 A 536 A 304 A			

Switch disconnecter • Short circuit characteristics

			SE63	SE80	SE100
Rated short-time short circuit withstand current (1 s)	lcw		1500 A	1500 A	1500 A
Rated short circuit making capacity	lcm		2840 A	2840 A	2840 A
Conditional rated short circuit withstand current			10 kA	10 kA	10 kA
Fuse rating (type gG)		500 V 690 V	- 63 A	- 80 A	100 A -