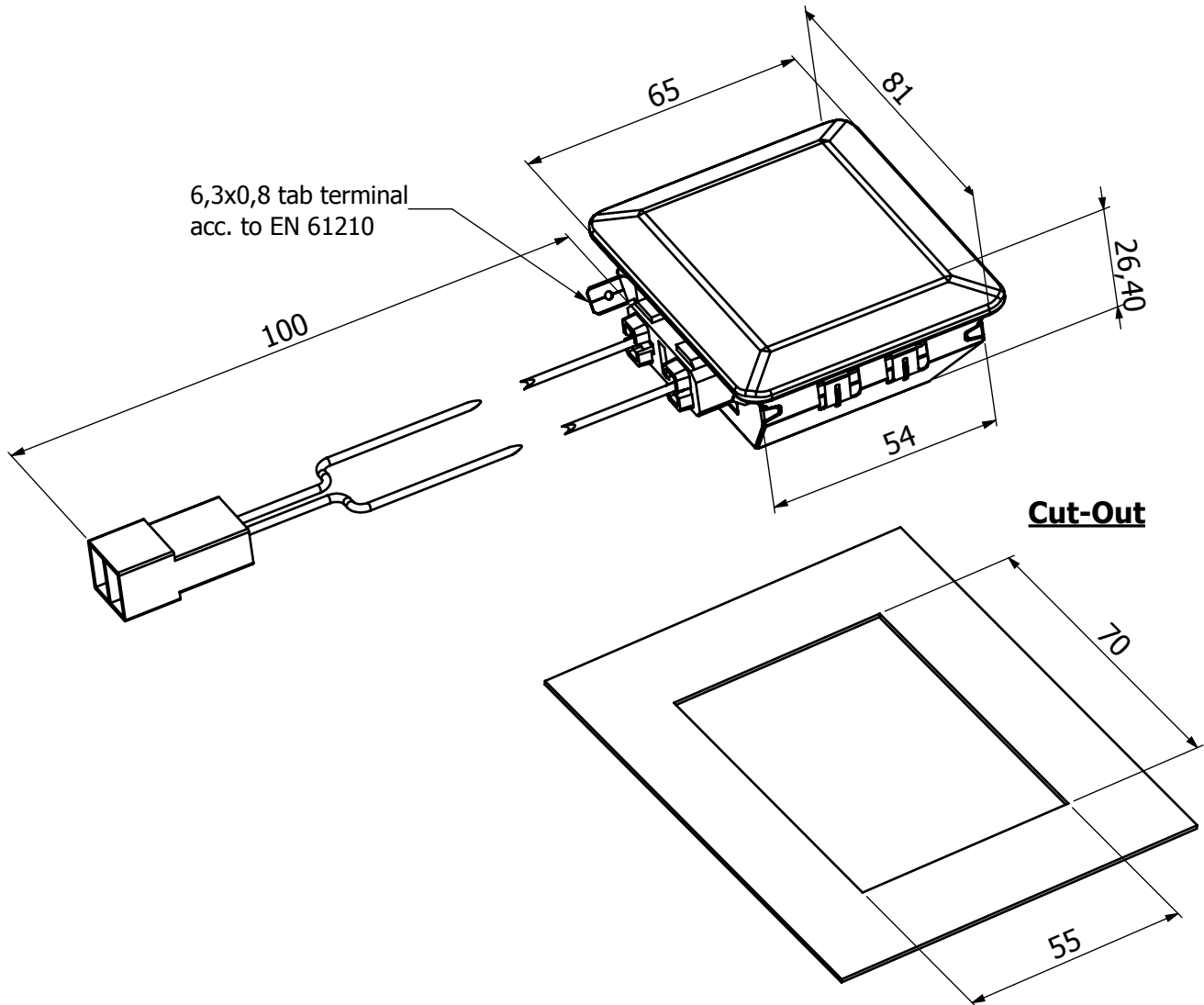


LH901K

Item Code: 07028711



All dimensions in "mm"

| Specifications | EN Standards |
|-----------------------|--|
| Application Field | Oven |
| Nominal Voltage | AC 250V |
| Nominal Current | 2A |
| Maximum Lamp Wattage | 40W |
| Operating Temperature | T300 |
| Lamp Base / Type | G9 - Halogen |
| | |
| Approval | Standards |
| VDE | DIN EN 60838-1:2017-10 + A1:2018-02 EN 60838-1:2017 + A1:2017 |