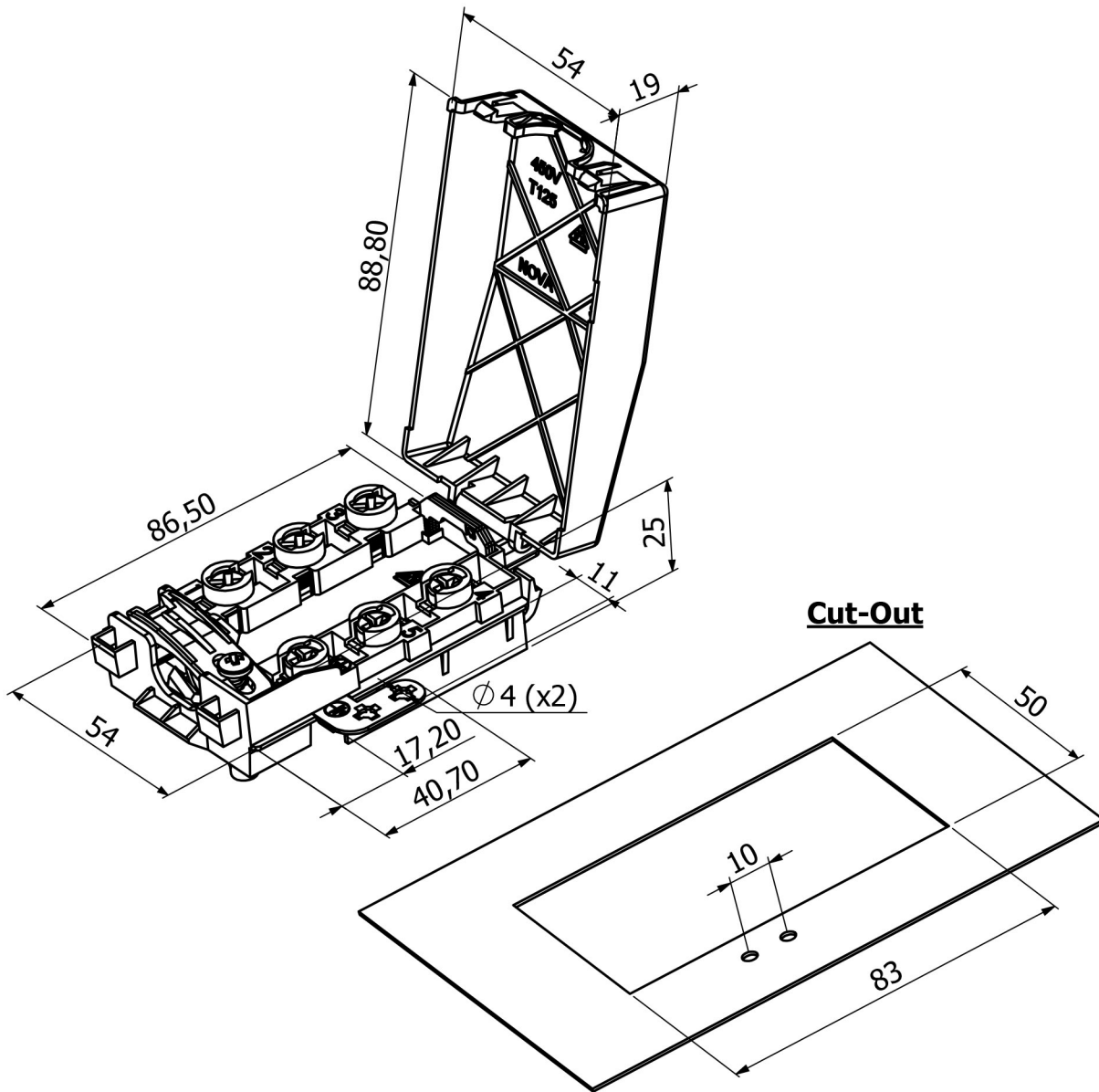


CONNECTION BOXES



All dimensions in "mm"

Specifications	EN Standards
Nominal Voltage	AC 450V
Nominal Current	40A
Operating Temperature	T125
Number of Poles	5P+E
Rated Connecting Capacity	1,5-6,0 mm ²
Degree of Protection	IP30
Components	Material
Body	PA6 V2-GWT 750°C, Black
Terminals	6,3x0,8 mm male tabs acc. to EN 61210 Steel, Zinc Plated, Cr ³ passivated
Screws	M4x11, Steel, Zinc Plated, Cr ³ passivated
Bridges	Brass
Approvals	Standards
VDE	DIN EN 60998-1:2005-03; EN 60998-1:2004 DIN EN 60998-2-1:2005-03; EN 60998-2-1:2004 DIN EN 61210:2011-06; EN 61210:2010 DIN EN 60335-1:2020-08 EN 60335-1:2012+AC+A11+A13+A14+A14:2019