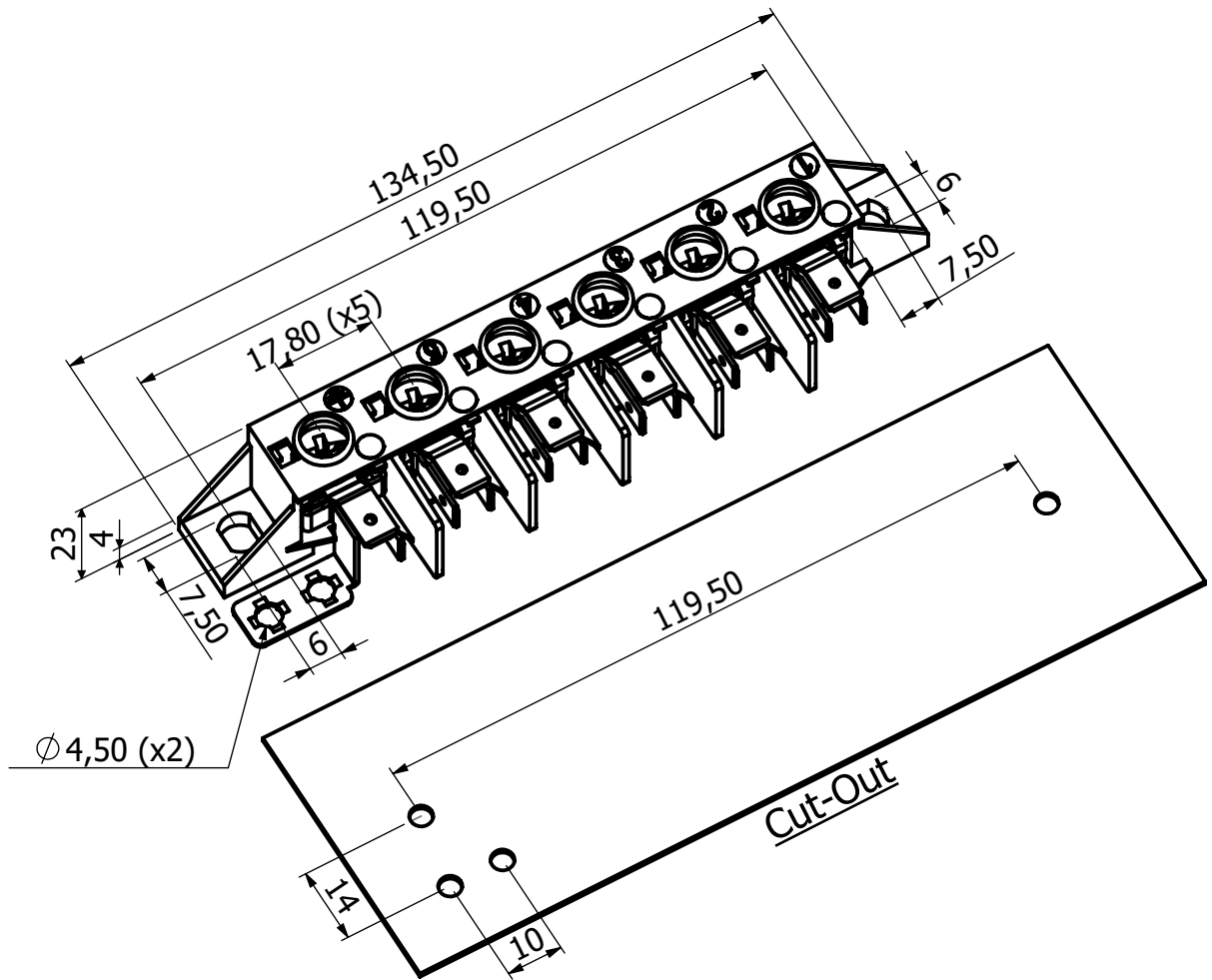


**KL116**

Item Code: 07030603



All dimensions in "mm"

Specifications	EN Standards	UL / CSA Standards
Nominal Voltage	AC 450V	AC 300V
Nominal Current	41A	
Operating Temperature	T150	T130
Number of Poles	5P+E	
Rated Connecting Capacity	1,5-6 mm <sup>2</sup>	18-8 AWG Stranded
Degree of Protection	IP00	
<b>Components</b>	<b>Material</b>	
Body	PA 66-GF25%-V0-GWT 750°C, Black	
Terminals	6,3x0,8 mm male tabs acc. to EN 61210 Steel, Zn Plated, Cr <sup>3</sup> passivated	
Screws	M5x10, Steel, Zn Plated, Cr <sup>3</sup> passivated	
<b>Approvals</b>	<b>Standards</b>	
VDE	DIN EN 60998-1:2005-03; EN60998-1:2004 DIN EN 60998-2-1:2005-03; EN 60998-2-1:2004 DIN EN 61210:2011-06; EN 61210: 2010	
UL CSA	Terminal Blocks, UL 1059 and Terminal Blocks, CAN/CSA C22.2 No. 158-10.	