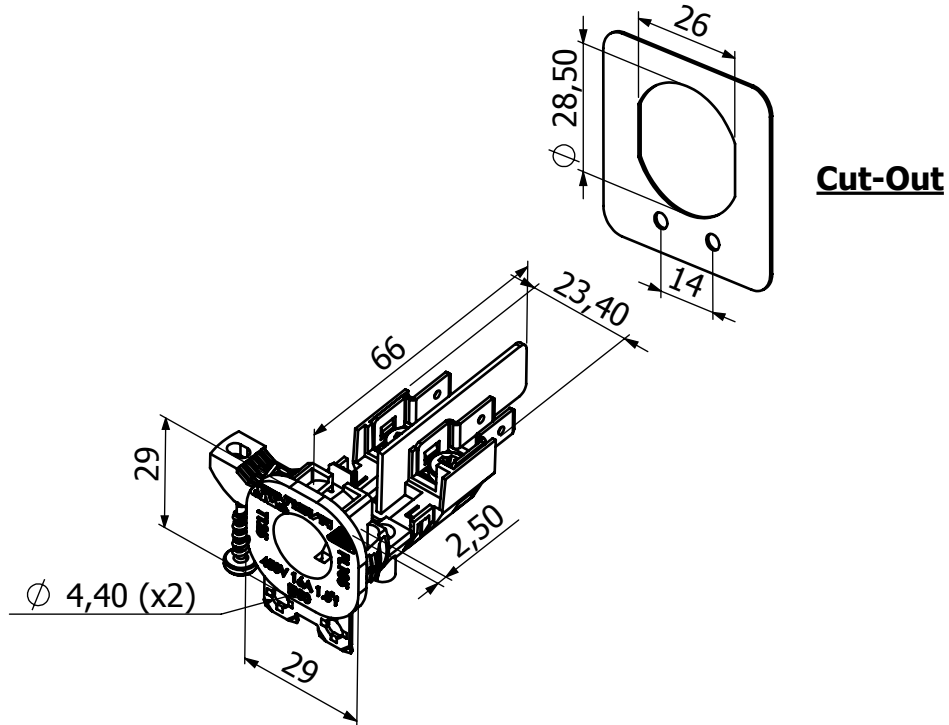


PL105E

Item Code: 07031301



All dimensions in "mm"

Specifications	EN Standards	UL/CSA Standards
Nominal Voltage	AC 450V	AC 300V
Nominal Current	16A	15A
Operating Temperature	T125	T110
Number of Poles	2P+E	
Rated Connecting Capacity	0,75-1,50 mm ²	18-14 AWG Stranded
Degree of Protection	IP00	
Components	Material	
Body	PA6 V2-GWT 750°C, Black	
Terminals	6,3x0,8 mm male tabs acc. to EN 61210 Steel, Zinc Plated, Cr ³ passivated	
Screws	M4x6, Steel, Zinc Plated, Cr ³ passivated	
Approvals	Standards	
VDE	DIN EN 60998-1 (VDE 0613 Teil 1):2005-03; EN 60998-1:2004 DIN EN 60998-2-1 (VDE 0613 Teil 2-1):2005-03; EN 60998-2-1:2004 DIN EN 61210 (VDE 0613 Teil 6):2011-06; EN 61210:2010 DIN EN 60335-1 (VDE 0700-1):2012-10; EN 60335-1:2012	
UL CSA	UL 1059 and CAN/CSA C22.2 No. 158-10 (Terminal Blocks) UL746C (Polymeric materials - use in electrical equipment evaluations)	