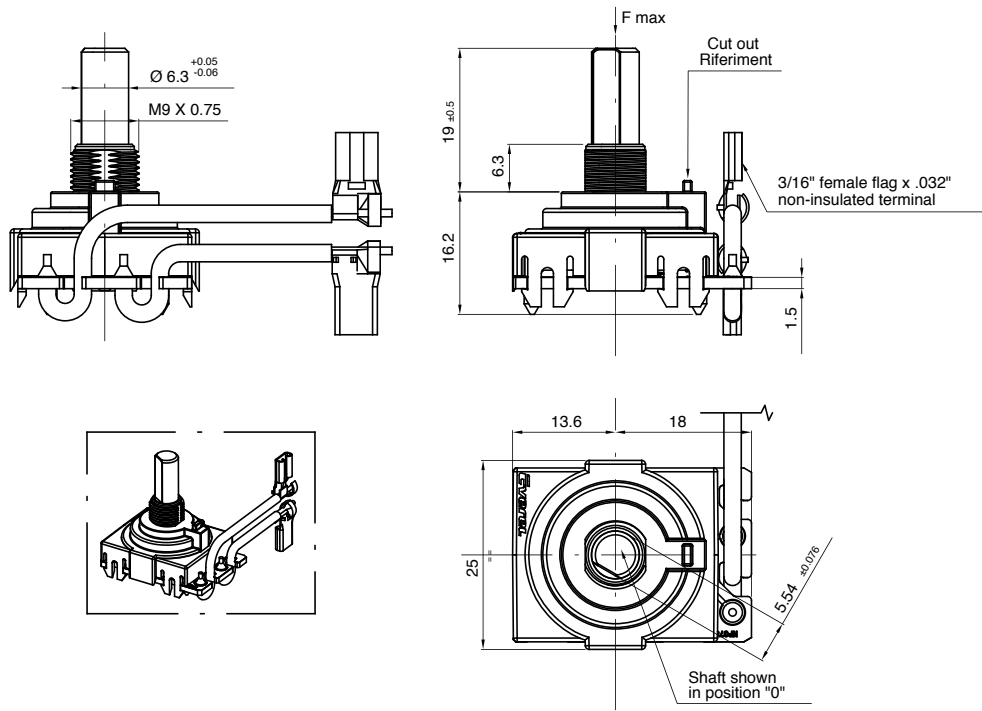


MINICODI	FIXING TYPE	H SHAFT (mm)	NUMBER OF POSITIONS
MV1	Threaded ring	■ 12,7	■ Free rotation 360° with stop
MV2	Soldering pin		

MV1



MV2

