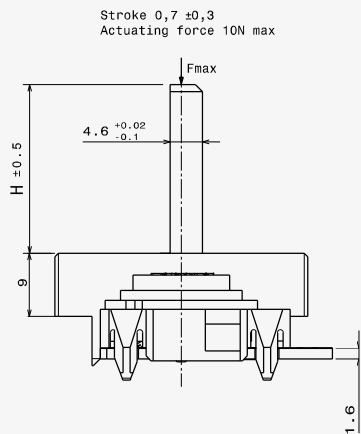


MINICODI	FIXING TYPE	H SHAFT (mm)	NUMBER OF POSITIONS
MK1	Screw m4	■ 13	■ 21 positions free rotation
		■ 18,7	
MK2	Screw m4	■ 23	■ 20 positions free rotation
		■ 24	

SHAFT



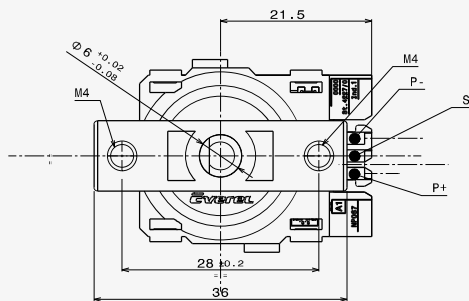
PUSH TO SELECT

The push to select accessory is used to select a scroll menu function and to confirm the selected value (i.e. temperature).

MK1

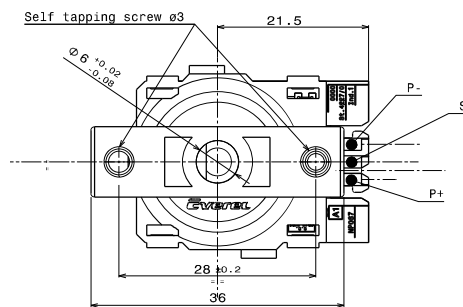


MK1



MK1 encoder, version with M4 screw fixing type.

MK2



MK2 encoder, version with self tapping screw fixing type.

MK2

