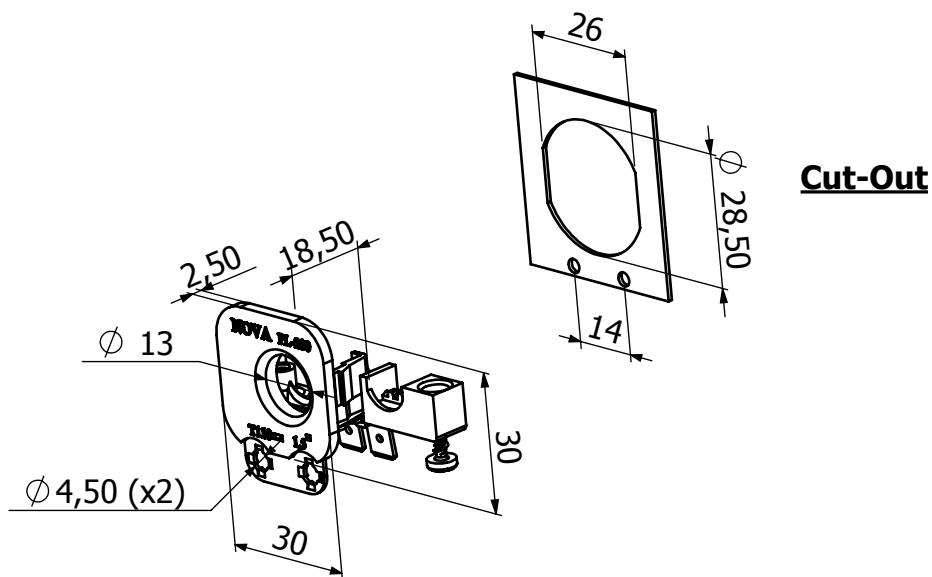


PL200E

Item Code: 07006601



All dimensions in "mm"

Technical Data	
Operating Temperature	T110
Cable Size	Ø9 mm max.
Components	
Material	
Body	PA 66, Unfilled
Screw	3,5x12 Hi-Low