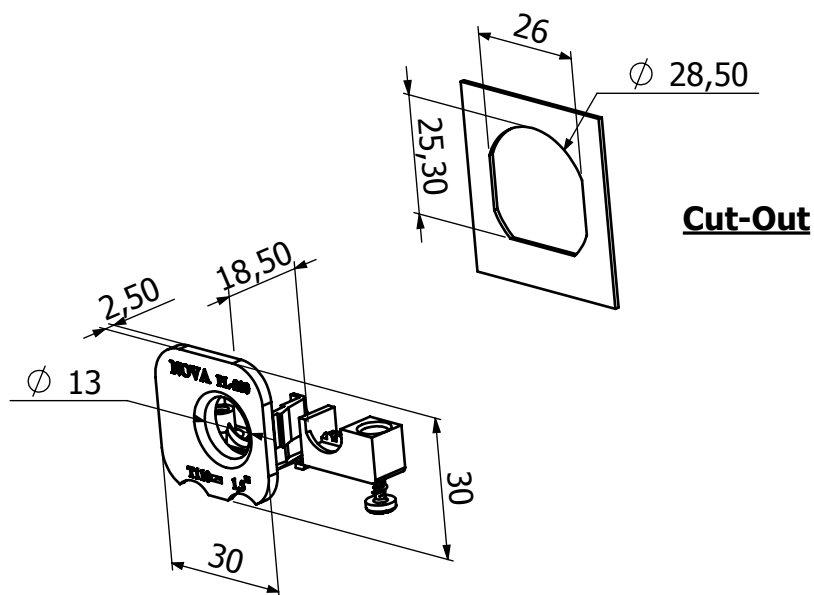


PL200

Item Code: 07006602



All dimensions in "mm"

	Technical Data
Operating Temperature	T110
Cable Size	Ø9 mm max.
Components	Material
Body	PA 66, Unfilled
Screw	3,5x12 Hi-Low