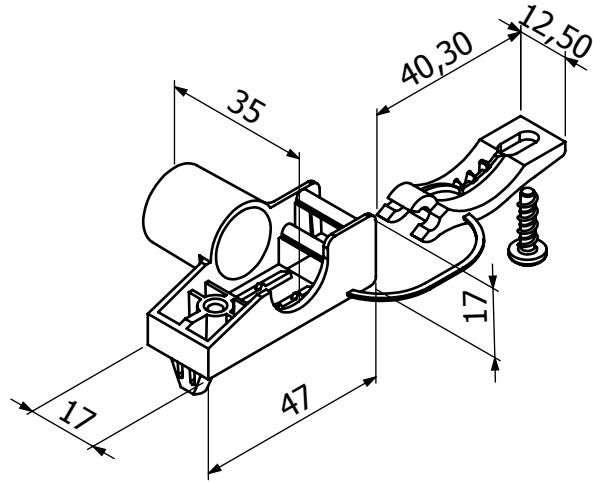
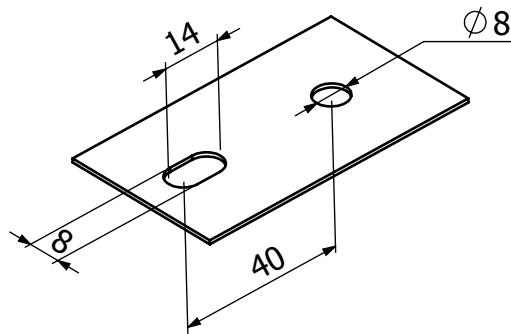


HL200

Item Code: 07026002



Cut-Out



All dimensions in "mm"

Technical Data	
Operating Temperature	T110
Cable Size	$\varnothing 14$ mm max.
Components	
Material	
Body	PA 6-V2, Unfilled, Black
Screw	N/A