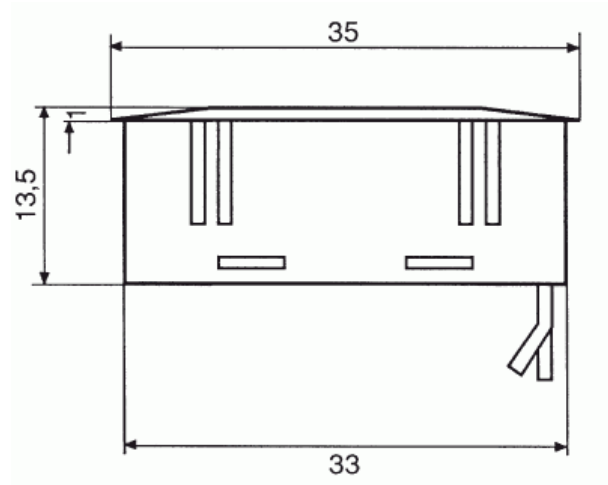


**Rectangular hole**

**UR**



The light indicator is fitted in the hole from the front of the panel.

<b>Working voltage</b>	6V ; 12V ; 24V ; 48V ; 110V ; 250V ; 400V
<b>Max temperature</b>	90°C ; 120°C ; 150°C
<b>Hole dimensions</b>	34,2 (+0,1-0) x 10,5 (+0,1-0)
<b>Way of locking on the panel</b>	self locking
<b>Lamp type</b>	incandescent lamp ; neon/fluorescent lamp ; LED lamp lamp
<b>Connection way</b>	pvc cable ; silicon cable ; silicon-glass cable
<b>Wire ends</b>	on request
<b>Approvazioni</b>	CE