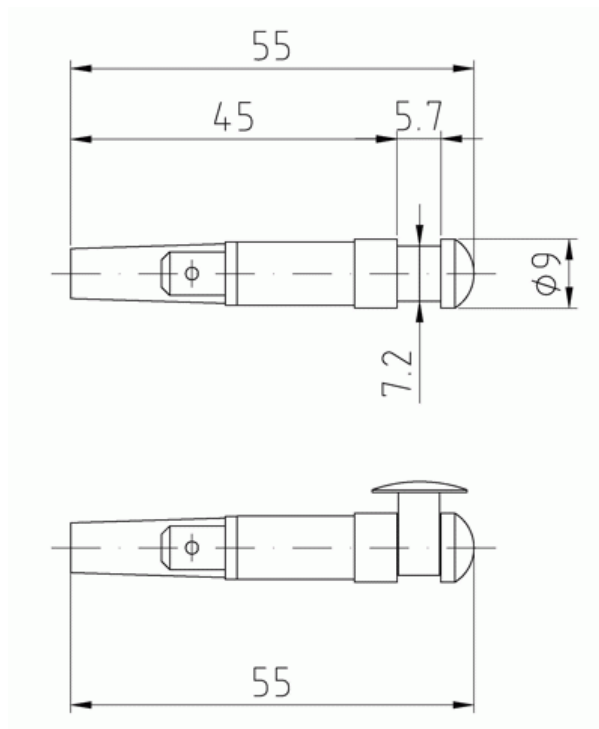


Rectangular hole

TPF/G



The lens is inserted from the front of the panel. it fits in the case of the light indicator situated behind the hole in the back of the panel.

The light indicator is parallel to the back of the panel to decrease the internal encumbrance.

Working voltage	6V ; 12V ; 24V ; 48V ; 110V ; 250V ; 400V
Max temperature	120°C ; 150°C
Hole dimensions	5mm (+0,2-0) x 10mm (±0,2)
Panel thickness	from 0,8mm to 1,5mm
Way of locking on the panel	self locking
Lamp type	incandescent lamp ; neon/fluorescent lamp ; LED lamp lamp
Connection way	male faston 6,3x0,8mm ; male faston 4,8x0,8mm
Wire ends	on request
Lens type	suitable for a 5x10mm hole (lens type: G)
Lens – case connection	extractable
Apprivazioni	VDE - UL/CSA - CE