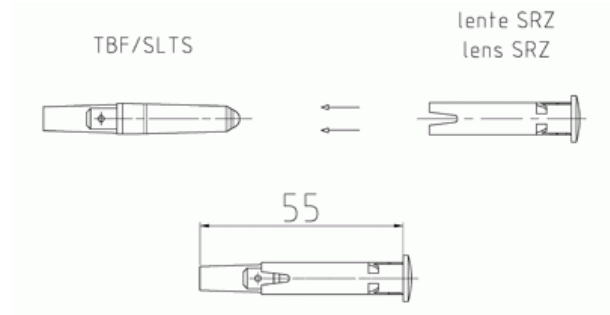


Ø 10mm

TBF/SLTS/SRZ



Self locking light indicator.

There is the opportunity to request the lens assembled or apart (not assembled on the plastic case).

Working voltage	6V ; 12V ; 24V ; 48V ; 110V ; 250V ; 400V
Max temperature	120°C ; 150°C
Hole diameter	10mm +0,2-0
Panel thickness	from 0,6mm to 2mm
Way of locking on the panel	self locking
Lamp type	incandescent lamp ; neon/fluorescent lamp ; LED lamp lamp
Connection way	male faston 6,3x0,8mm ; male faston 4,8x0,8mm
Lens type	suitable for a 10mm hole (lens type: SRZ)
Lens – case connection	extractable
Approvals	VDE - UL/CSA - CE