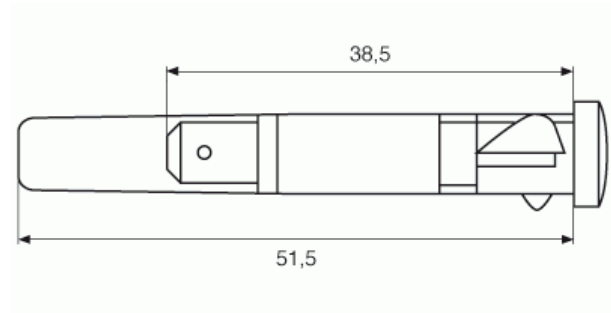


Ø 9mm

## TBF/09/SA



Self locking light indicator.

There is the opportunity to request the lens assembled or apart (not assembled on the plastic case).

<b>Working voltage</b>	6V ; 12V ; 24V ; 48V ; 110V ; 250V ; 400V
<b>Max temperature</b>	120°C ; 150°C
<b>Hole diameter</b>	9mm +0,2-0
<b>Panel thickness</b>	from 0,8mm to 2mm
<b>Way of locking on the panel</b>	self locking
<b>Lamp type</b>	incandescent lamp ; neon/fluorescent lamp ; LED lamp lamp
<b>Connection way</b>	male faston 6,3x0,8mm ; male faston 4,8x0,8mm
<b>Lens type</b>	suitable for a 9mm hole (lens type: SA)
<b>Lens – case connection</b>	fixed ; extractable
<b>Approvals</b>	VDE - UL/CSA - CE