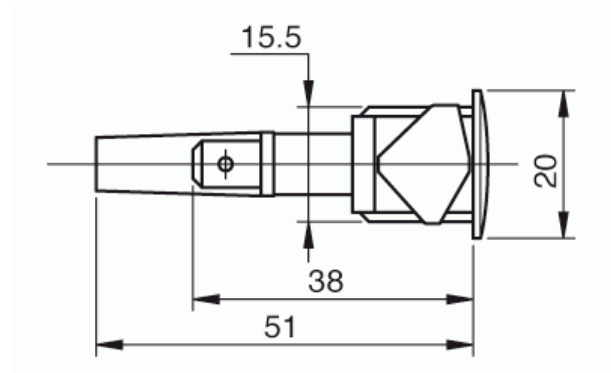


Ø 16mm

TBF/016/SH



Self locking light indicator.

Working voltage	6V ; 12V ; 24V ; 48V ; 110V ; 250V ; 400V
Max temperature	120°C ; 150°C
Hole diameter	16mm +0,25-0
Panel thickness	from 0,5mm to 2,5mm
Way of locking on the panel	self locking
Lamp type	incandescent lamp ; neon/fluorescent lamp ; LED lamp lamp
Connection way	male faston 6,3x0,8mm ; male faston 4,8x0,8mm
Lens type	suitable for a 16mm hole (lens type: SH)
Lens – case connection	fixed
Approvals	VDE - UL/CSA - CE