

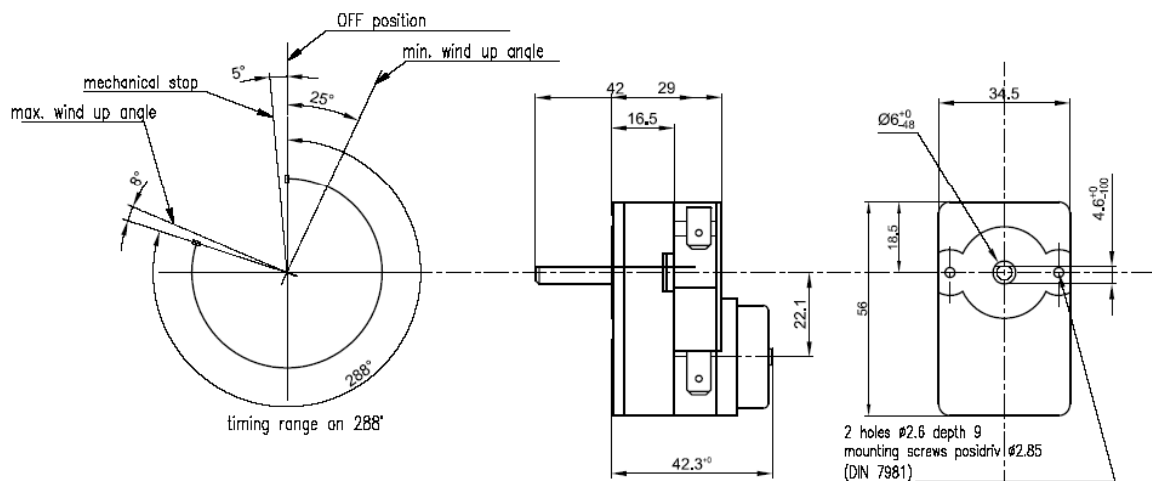


# COUPATAN

## TIME SWITCH C20

This mechanical time switch is a reliable product which has been chosen by many manufacturers in the industry worldwide as it integrates many advantages such as :

- for a wide range of applications : mini ovens, mini wash, toaster, deep fryers, steamer cookers, grills, solarium, saunas, heaters, fans , battery chargers, industrial applications
- small physical dimensions
- flexibility thanks to the technical adaptations and numerous options provided upon request :
- timing range until 140 min on a standard wind up angle of 288°
- timing tolerance of +/- 5% or +/- 15%
- hold position
- terminal orientation side or rear
- bell at the end of the cycle
- 2 types of fixation : screws or central nut
- different shaft lengths
- numerous configurations with 1 or 2 contacts : SPST -DPST- DPST-DPDT
- scale and knob could be provided under request



## TECHNICAL FEATURES C20

Resistive switching capacity	16 (3)A	Switch position at rest	NO-NC
Voltage rating	250VAC	Terminal type	6.3mmx0.8 silver plated
switch for appliance	I-II	Number electrical On off	10000
self extinguishability class	V0(UL94)	Ambient T°	-10°C to max 125°C
Dielectric Strength	3750VAC	Timing range in minutes	5-7-15-30-60-90-120-140
Distance between contact	>3mm	Approvals	EN 730-2-1 KEMA UL CSA
dimension of the shaft	Diam 6x4.6 std 23mm		