

NEW! Kwik Fix Cable Gland



DOOR ENCLOSURES & ACCESSORIES



ROBUST, VERSATILE, ALL-WEATHER & SEALED to IP65

Door Enclosures with Solid & Transparent Doors



DE DOOR ENCLOSURES

DE Door Enclosures are made from ABS HB material to IP65 standard and come complete with a steel back plate, mounting wall brackets and lockable key. They come in eight sizes and can be used in various environments including seaside conditions, dry dusty environments and in heavy humidity.

Features:

- Designed to meet protection and combustible standards IP65 and IK08
- Available in eight sizes. Two more coming later in 2011
- Supplied in grey (RAL 7035) with solid door and base unit or grey base with transparent polycarbonate door
- Come complete with steel back plate
- Wall thickness on the range is 3 - 3.5mm
- Made from UL approved ABS-HB flame retardant plastic

- Comply with the following standards: EN 60439-1, EN 62208, CEI 23-48, CEI 23-49
- Perform within a temperature range of -20° to +85°
- Suitable for use in **sea salt air conditions and dry dust environments**
- Accessories include a unique patented Kwik Fix Cable Gland with snap in single component mounting (no separate nut and thread)

Applications:

- Marine
- Automation
- Telecommunication
- Gas Industry
- Lifts and Elevators
- Heating and Ventilating
- Panel Building
- Lighting
- Construction
- Machinery Industry
- Cranes



ENCLOSURES WITH SOLID DOOR

CODE	SIZE (mm)	DESCRIPTION
DED001	200 x 300 x 130	Solid Door
DED002	250 x 350 x 150	Solid Door
DED004	300 x 400 x 170	Solid Door
DED005	300 x 400 x 220	Solid Door
DED006	350 x 500 x 190	Solid Door
DED007	400 x 500 x 240	Solid Door
DED008	400 x 600 x 200	Solid Door
DED010	500 x 700 x 250	Solid Door

ENCLOSURES WITH TRANSPARENT DOOR

CODE	SIZE (mm)	DESCRIPTION
DED011	200 x 300 x 130	Transparent Door
DED012	250 x 350 x 150	Transparent Door
DED014	300 x 400 x 170	Transparent Door
DED015	300 x 400 x 220	Transparent Door
DED016	350 x 500 x 190	Transparent Door
DED017	400 x 500 x 240	Transparent Door
DED018	400 x 600 x 200	Transparent Door
DED020	500 x 700 x 250	Transparent Door

Door Enclosures – Features, Dimensions & Products



Galvanised Steel Back Mounting Plate



Robust Housing



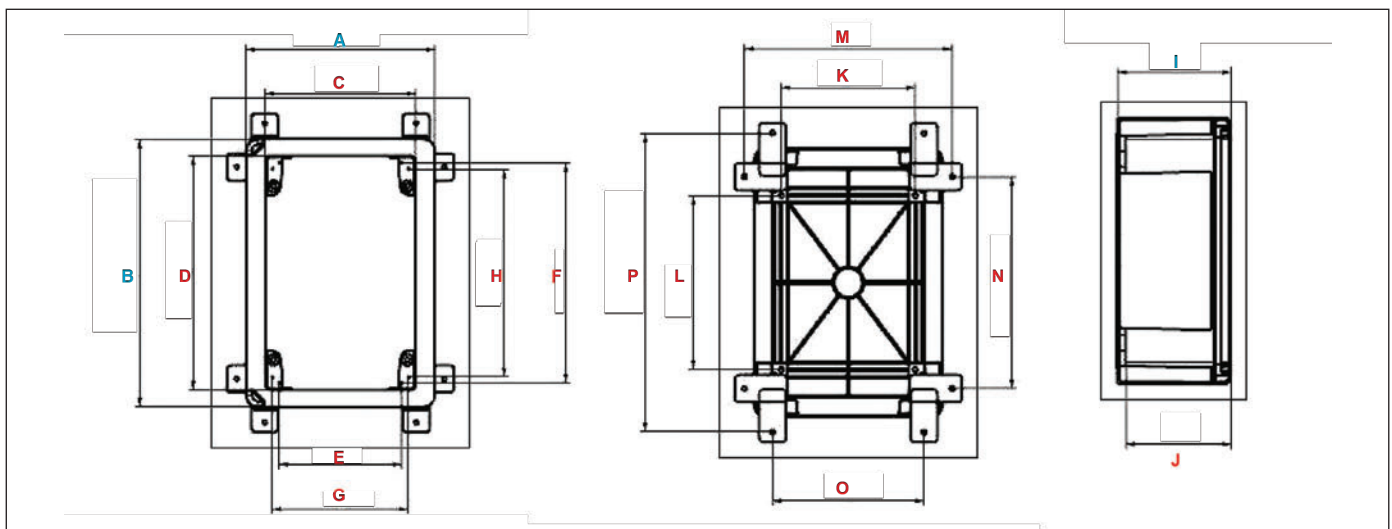
Functional Details



Lockable Key

DIMENSIONS AND PRODUCT CODES

SIZE (mm)	200x300x130	250x350x150	300x400x170	300x400x220	350x500x190	400x500x240	400x600x200	500x700x250
ILLUSTRATIONS REF. CODE BELOW	DED001 DED011	DED002 DED012	DED004 DED014	DED005 DED015	DED006 DED016	DED007 DED017	DED008 DED018	DED010 DED020
A	200	250	300	300	350	400	400	500
B	300	350	400	400	500	500	600	700
C	143	195	245	241	291	34	341	443.5
D	250	300	357	348	448	447	548	650.5
E	112	162	212	212	262	312	312	412
F	238	288	338	338	438	438	538	638
G	130	180	230	230	280	330	330	430
H	222	272	322	322	422	422	522	622
I	130	150	170	220	190	240	200	250
J	119	139	159	209	179	229	189	239
K	127	177	227	227	277	327	327	427
L	177	227	277	277	277	277	477	577
M	225	275	324.5	324.5	374.5	425	424.5	524.5
N	227	277	327	326.5	426.5	427	526.5	626.5
O	150.5	200	250	250.5	300.5	350.5	350.5	450.5
P	346	391	441	441	541	541	641	741



Kwik Fix Cable Gland – Simple, fast, easy to use and extremely time saving.



This unique patented range of single fix cable gland is available in sizes M16, M20 and M25 in RAL7035 (Light Grey). Manufactured from Polyamide PA6 V-2, they are assembled from one side only without any special tools (no separate lock-nut required) thereby making installation very quick and easy.

Assembly of the gland is simple as you simply put the cable gland through the hole and fasten the hexagonal locknut from the outer side – turning counter clockwise. Next you install the corresponding cable and tighten the dome nut – turning clockwise. Simple, fast and fixed!

Kwik Fix is especially suitable for use in switch cabinets, enclosures, in cooling and heating systems and in all areas, with limited space on the inner side, like cable tray entries etc.



Product Code	Size	Hole Di	Wall thickness T mm	ØC mm	SW1 mm	SW2 mm	H mm	Quantity
DECGG/QF16	M16	16.1 - 16.4	1-4	5 - 10	24	20	38.5	100
DECGG/QF20	M20	20.1 - 20.4	1-4	8 - 13	26	24	42.5	100
DECGG/QF25	M25	25.1 - 25.4	1-4	11 - 17	32	29	48	50

FEATURES AND BENEFITS

- Mounting/dismounting from one side only
- No special tools required
- Advantageous for installation in areas with limited space
- Wide sealing and clamping range
- Fits panel thickness 1- 4mm
- Quick and easy installation – saves time, saves money

Materials:

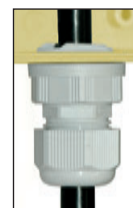
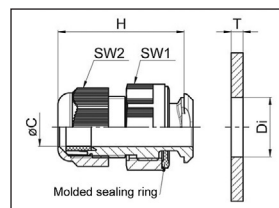
- Dome nut – Polyamide PA6 V-2
- Sealing ring – Polychloroprene-Nitrile rubber CR/NBR
- Gland body – Polyamide PA6 V-2
- Mounting nut – Polyamide PA6 GF30
- Moulded sealing ring – Nitrile-Polytetrafluorethylene rubber BR/PTFE

Sizes & Colour:

- M16, M20 and M25
- Light Grey – RAL 7035

Technical:

- Mounting/dismounting from one side only. Installation in clearance holes with dimensions according to DIN EN 50262, no inner thread required, continuously adjustable in wall thickness from 1- 4mm, integrated anchorage, wide sealing and clamping range.
- Temperature range: -20° C to +100° C
- Protection grade: IP68



PERFORATED DIN RAILS

Perforated DIN Rails are made of galvanised steel and are anti-corrosive. The rails are 35mm wide and come in various lengths.



Product Code	DIN Rail Length	DIN Rail Suits Door Enclosure No.
DED01/DRP	140mm	DED001 & DED011
DED02/DRP	190mm	DED002 & DED012
DED04/DRP	240mm	DED004 & DED014
DED05/DRP	240mm	DED005 & DED015
DED06/DRP	290mm	DED006 & DED016
DED07/DRP	340mm	DED007 & DED017
DED08/DRP	340mm	DED008 & DED018
DED10/DRP	440mm	DED010 & DED020