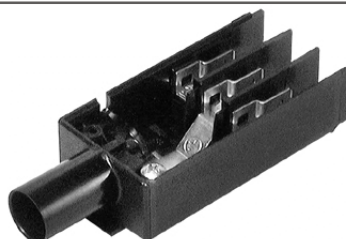







# PA299

**Terminal block with integrated cable clamp, earth bracket and RF filter holder.  
For snap-in fixing on chassis**



## TECHNICAL DATA

|                                  | IEC Standards  |           |           |           |           |          |          | American Standards |           |            |          |           |           |           |
|----------------------------------|--|-----------|-----------|-----------|-----------|----------|----------|--------------------|-----------|------------|----------|-----------|-----------|-----------|
|                                  | A  | B         | C         | D         | E         | F        | G        | H                  | I         | L          | M        | N         | O         | P         |
| <b>Dimensions</b><br>mm (inches) | 75 (2.95)  | 37 (1.46) | 21 (0.83) | 25 (0.98) | 16 (0.63) | 1 (0.04) | 4 (0.16) | 8 (0.31)           | 24 (0.94) | 3.5 (0.14) | 5 (0.20) | 16 (0.63) | 21 (0.83) | 52 (2.05) |
| <b>Versions</b>                  | 3 poles  |           |           |           |           |          |          |                    |           |            |          |           |           |           |
| <b>Ratings</b>                   | 450V - 16A   |           |           |           |           |          |          | 300V - 16A         |           |            |          |           |           |           |
| <b>Wire size</b>                 | 1.5 sqmm   |           |           |           |           |          |          | 18 + 14 AWG        |           |            |          |           |           |           |
| <b>Working Temperature</b>       | - 5 ÷ 125°C (short time 155°C)   |           |           |           |           |          |          | 23 ÷ 221°F         |           |            |          |           |           |           |
| <b>Plastic Material</b>          | Polyamide PA6.6 black colour, UL94 V2, GWT 960°C   |           |           |           |           |          |          |                    |           |            |          |           |           |           |
| <b>Metal Parts</b>               | M4 zinc plated steel screw; 6.3 x 0.8 zinc plated steel tab insert;<br>other parts made in zinc plated steel |           |           |           |           |          |          |                    |           |            |          |           |           |           |
| <b>Cable Section</b>             | 3 x 0.75 sqmm ÷ 3 x 1.5 sqmm   |           |           |           |           |          |          |                    |           |            |          |           |           |           |
| <b>Cable Clamp Screw</b>         | 3.5 x 15 mm ( 0.14" x 0.60") HI-LO   |           |           |           |           |          |          |                    |           |            |          |           |           |           |

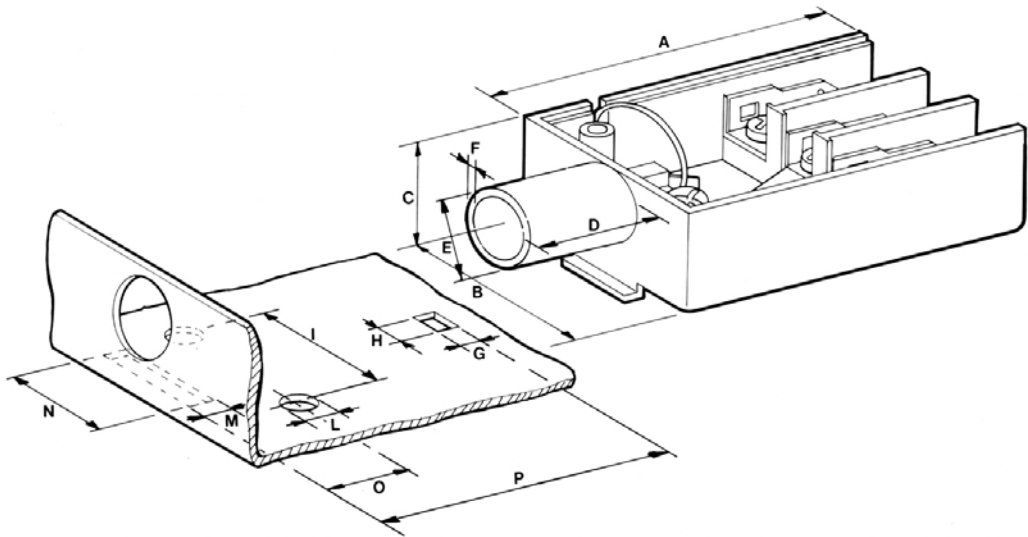
| Approvals   | File Nr.               | Ratings (sqmm/AWG – V – A – T)                   | Standard References   |
|---|------------------------|--|---|
|  | CA02.00716             | 1.5 sqmm - 450V - 125°C                          | EN 60998-1; EN 60998-2-1; EN 61210;<br>EN60335-1  |
|  | 121397                 | 1.5 sqmm - 450V - 16A – 125°C                    | DIN EN 60335-1, /A12, /A13, /A14;<br>DIN EN 60998-1; DIN EN 60998-2-1;<br>DIN EN 61210 (VDE 0613) |
|  | E208213<br>Vol.1 Sec.1 | 14+18 AWG – 300 V – 16A (UR) 12A (cUR)<br>130 °C | UL 1977, CNS C22-2<br>182.3 1987  |





# PA299

DIMENSIONAL  
DRAWING



| PACKAGING |        |       |                    |             |
|-----------|--------|-------|--------------------|-------------|
| Type      | P-N    | Pack. | Dim. Pack. (LxHxP) | Weight (Kg) |
| PA 299    | 500350 | 400   | 40x39x40           | 12.7        |

