





# FV268

**Cable clamp.  
For snap-in fixing on chassis**



## TECHNICAL DATA

	IEC Standards			American Standards			
		A	B	C	D	E	F
<b>Dimensions / Versions</b> mm (inches)	<b>RO</b>	45 (1.77)	31 (1.22)	8 (0.31)	15 (0.59)	21 (0.83)	20 (0.79)
	<b>SQ</b>			7 (0.28)			
<b>Versions</b>	RO: for round fixing holes; SQ: for square fixing holes						
<b>Wire size</b>	3 x 0.75 sqmm + 5 x 6.0 sqmm (max. cable Ø 20 mm)			3 x 20 AWG + 3 x 10 AWG (max. cable Ø 0.8")			
<b>Working Temperature</b>	- 5 ÷ 150°C (short time 180°C)			23 ÷ 239°F			
<b>Plastic Material</b>	Polyamide PA6.6 brown colour, UL94 V0, GWT 960°C						
<b>Cable Clamp Screw</b>	3.5 x 25 mm (0.14" x 1.00") HI-LO						

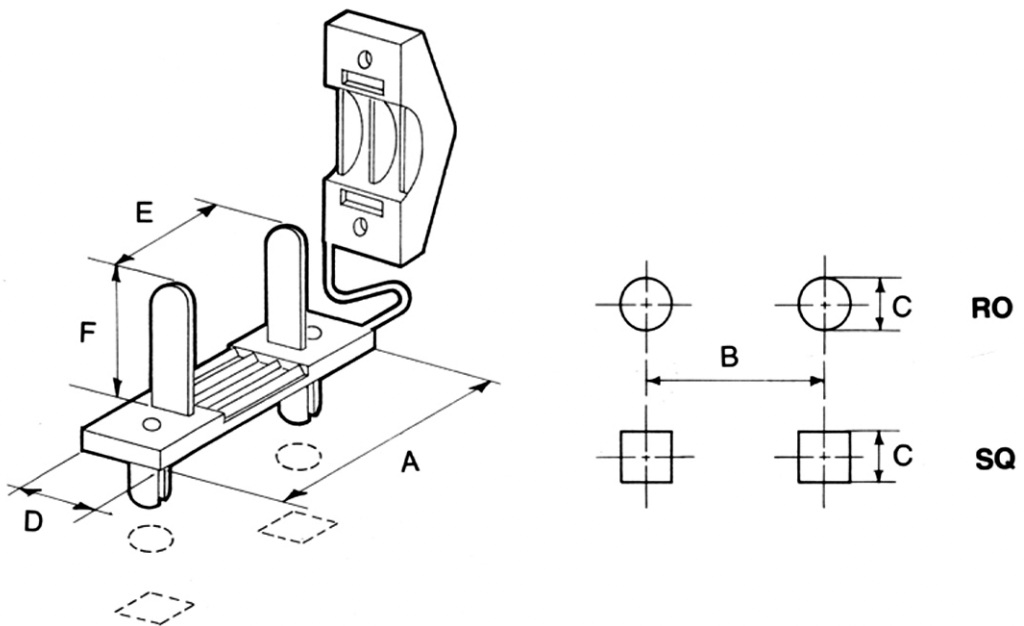
Approvals	File Nr.	Ratings (sqmm/AWG – V – A – T)	Standard References
	E 6170	Gr. 6.5/20 mm – 3x0.75 sqmm / 5x6.0 sqmm	EN 60598-1; /A1; /A12; /A13; EN60335-1
	LR 40455	accessory, strain relief	CSA C22-2 N.158-1987; E.C.N 584B





# FV268

**DIMENSIONAL  
DRAWING**



PACKAGING				
Type	P-N	Pack.	Dim. Pack. (LxHxP)	Weight (Kg)
FV 268 RO	970644	2000	40x39x40	12.5
FV 268 SQ	970645	2000	40x39x40	12.5

