

The Universal Quick Charger

- Full charge in less than 30 Minutes.
- The most compact CHAdeMO and CCS DC QC
- Perfect solution for traffic intense locations

QUICK CHARGER DUAL DC



Photos and visuals of our models are not contractual

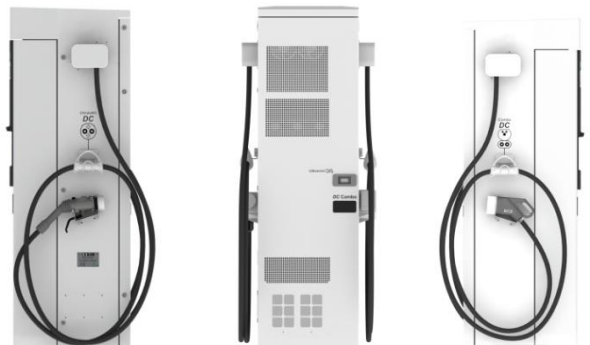
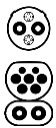
General presentation

Material	Stainless steel
Standard Colour	RAL9003
Installation	Indoor / Outdoor
Dimensions (h,w,d)	1840x660x750mm
Number of Charging Points	1 charging points
Number of connectors	1 tethered cable with CHAdeMO connector 1 tethered cable with CCS connector
Available Power	DC from 20 to 44kW
HMI	LCD colour screen with side buttons
Warranty	2 years

Technical features



Weight	About 350kg
IP Index (solid/liquid)	IP55
Shock Resistance	IK 10
Climate	- 10 to + 40 °C (-30 to +40°C with cold option)
Max Altitude	1000m
Humidity index	30-90%
Connector type	4m Tethered cable CHAdeMO, DC 44kW 4m Tethered cable with CCS connector DC
Rated Input	400VAC, 50Hz
Output Voltage	400V AC / 200-500V DC
Output current	0-125A DC depending on configuration
Electrical Protections	Integrated RCD 300mA and MCB
Thermo-Management	Active fan cooling / Heating system

General Structure	IEC 61439-1 NFC 15-100 CEM 2004/108/CE
CHAdeMO	IEC 61851-1 IEC 61851-23 annex A CHAdeMO 0.9(compatible 1.0)
CCS	IEC 61851-1 IEC 61851-23 annex C ISO 15118



1 Plug / Power Configuration

Réf. NQC-XXX-A-XX-X-X-X


Configuration		Réf.
	1 DC CHAdeMO plug 44kW with tethered cable (0 to 80% charge in 30mn*) 1 DC CCS plug 44kW with tethered cable (0 to 80% charge in 30mn*)	269
	1 AC Type 2 socket, 22kw (100% charge in 60mn*) 1 DC CHAdeMO plug 44kW with tethered cable (0 to 80% charge in 30mn*) 1 DC CCS plug 44kW with tethered cable (0 to 80% charge in 30mn*)	314


Please contact us for other configurations
*average charging time for an EV with 24kW/h battery


2 Start the charge


Réf. NQC-XXX-A-XX-X-X-X

Direct Start



Plug & charge



Push Button
Réf 12



Lock code system


Remote control board


Start with tag



Key


RFID
Réf 25


RFID prepaid unit card

Start with code


Access code
Réf 31


Code
Réf 32

3 Remote control and Management

Réf. NQC-XXX-A-XX-X-X-X

Local control
NQC-XXX-A-XX-L-X-X



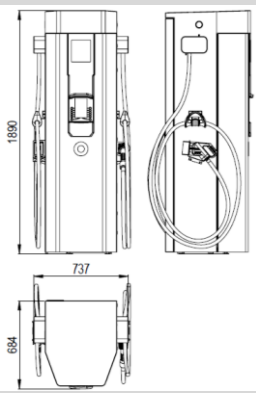
Remote control
NQC-XXX-A-XX-R-X-X



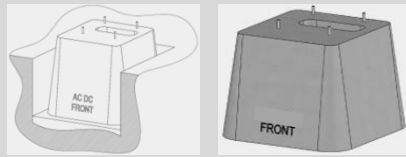
4 Installation and dimensions

Réf. NQC-XXX-A-XX-X-X-X

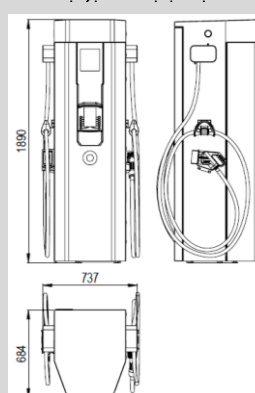
Concrete basement for Quick Charger multi-standard



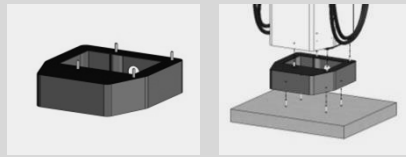
Optional pre-cast concrete basement
NQC-XXX-A-XX-X-P-W



Stainless basement for Quick Charger multi-standard sur dalle



Optional stainless steel basement
NQC-XXX-A-XXX-X-P-X



5 Options

Réf. NQC-XXX-A-XX-X-X-X

Option	Réf.	Option	Réf.
RAL on demand : for customization of the charging station	A	Cold Option : Increase the temperature protection until -30°C	V
Stickers : Stickers on the station for ultimate configuration	B	Salt Option : Increase the charger protection against corrosion due to salt spray in winter conditions or saline mist environments	F1
Non Simultaneous charging : One plug can charge at the time	E	Optional concrete basement : To facilitate installation work	G1
General metering : Metering of the consumption of the station or Individual plug metering : Metering of the consumption per plug	I M	Stainless Steel Basement : To facilitate installation work on existing concrete floor	A1