



## Water-resistant switches



### SXLR Series


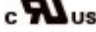

**Round cut out - Ø 25**  
**ENEC electrical rating up to 16A**

- Rubber body
- Illuminated or not
- IP65 protection degree
- Applications: steam cleaners

#### Products

*Customising on demand*

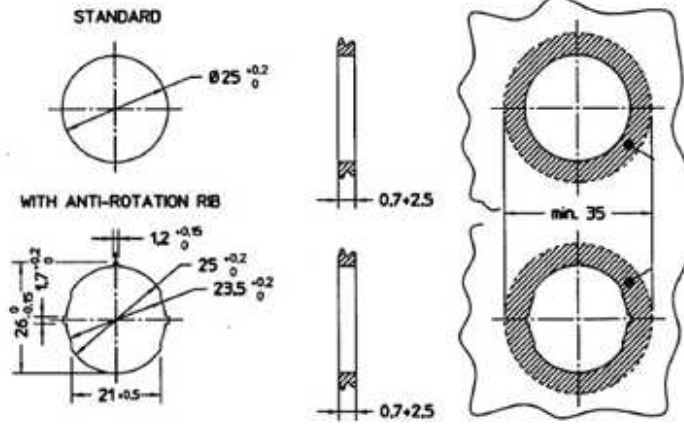
## Electrical features

ENEC electrical rating up to	<b>16A</b>
Electro-mechanical cycles number up to	<b>50.000</b>
Room temperature up to	<b>125 °C</b>
Flammability	<b>UL 94 V2</b>
Heat and fire resistance	<b>GWFI 850 °C</b> <b>GWIT 750 °C on demand</b>
Contact gap	<b>≥ 3 mm</b>
Approvals available (to check according to the rating of each single material code)	  
Reference standards	<b>EN 61058</b> <b>UL 1054</b>

## Wiring diagrams

- Double-pole momentary switch
- Double-pole switch
- Illuminated double-pole switch
- Single-pole momentary switch
- Single-pole switch

## Cut out (mm)



Stampa scheda