





MADHIRI SERIES

The illumination that looks for future

The fixture luminaire MADHIRI has been designed to satisfy the lighting demands in industrial applications. It offers a sensible energy saving compared to equivalent lighting systems. This lamp guarantees an intense and natural light, suitable for applications in professional environment, such as "open space".

Its extruded aluminum chassis guarantees optimal mechanical strength and efficient heat dissipation, which ensures a long life time.

Mechanical features

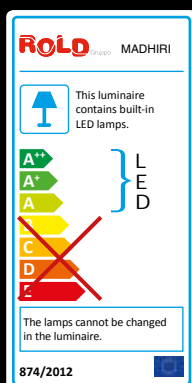
Chassis	Extruded Aluminum
Dissipator	Extruded Aluminum
Gasket	Silicon compliant with Led lighting
Glass	Tempered 4 mm
Compression cable glands	IP68
Protection against mechanical impacts	IK08 (5 J vandal-protected)
Protection Degree	IP65 (Dust penetration-protected, jet-proof)
Maintenance	Limited

Electrical features

Driver included - Failure rate	0.15% per 5.000 hr
Insulation class	I
Power supply	110÷240V - 50/60 Hz
Power factor	>0.9 (fully loaded).
Colour	Grey RAL 7001, painting thermosetting polyester powder
Options of Energy Saving	Dimming driver, ROLD SmartPower (by power line)
Markings	CE mark
Operating Temperature Range of the lighting device	From -35 to +55°C
Operating Temperature Range of the Driver IP65 / IP67	From -35 to +55°C
Luminous Source	Integrated Led module
Driver IP67/IP65	Laminated aluminum

Risk Group 0 - exempt IEC/EN 62471

On request lamps with different CRI / Color temperature (K)





MADHIRI

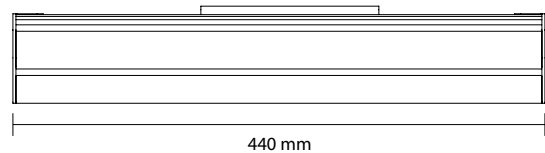
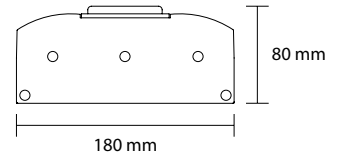
SUSPENSION



SUSPENSION



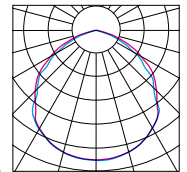
MDR 1MS RT



CODE	NUMBER OF LED	POWER W	FLUX Lm Tc = 25°C	COLOUR K	ELECTRICAL CURRENT mA	NET WEIGHT Kg	LED SOURCE	LIGHT EFFICIENCY lm/w	COLOUR RAL
MDR 1MS 00	150	54	7800	4000	0,7	5	Osram Duris E5	144	7001
MDR 1MS 01	150	54	7800	5000	0,7	5	Osram Duris E5	144	7001

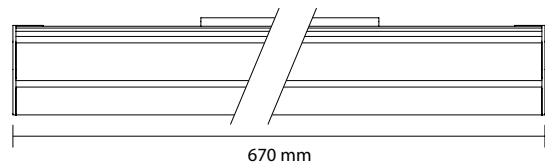
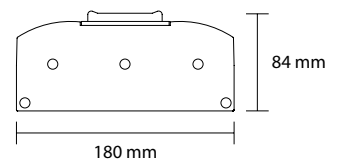
t = 40° C
 IEE = A++ / A
 EN 60598-1:2008 + A11:2009
 EN 60598-2-1:1989

IK08 IP65 CE



PHOTOMETRY

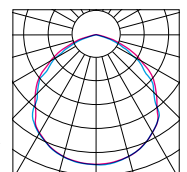
MDR 2MS RT



CODE	NUMBER OF LED	POWER W	FLUX Lm Tc = 25°C	COLOUR K	ELECTRICAL CURRENT mA	NET WEIGHT Kg	LED SOURCE	LIGHT EFFICIENCY lm/w	COLOUR RAL
MDR 2MS 00	150	108	15600	4000	0,7	10	Osram Duris E5	144	7001
MDR 2MS 01	150	108	15600	5000	0,7	10	Osram Duris E5	144	7001

t = 40° C
 IEE = A++ / A
 EN 60598-1:2008 + A11:2009
 EN 60598-2-1:1989

IK08 IP65 CE



PHOTOMETRY

OPTIONAL COLOUR

WHITE RAL 9003 BLACK RAL 9005



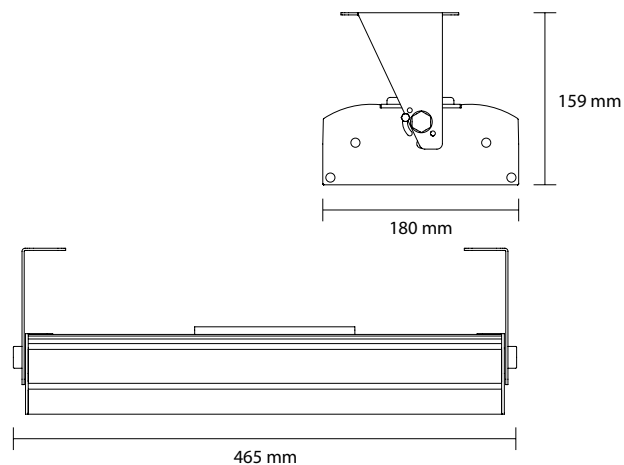
MADHIRI

WALL



WALL

MDR 1MW RT

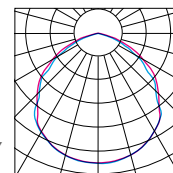


CODE	NUMBER OF LED	POWER W	FLUX Lm Tc = 25°C	COLOUR K	ELECTRICAL CURRENT mA	NET WEIGHT Kg	LED SOURCE	LIGHT EFFICIENCY lm/w	COLOUR RAL
MDR 1MW 00	150	54	7800	4000	0,7	5	Osram Duris E5	144	7001
MDR 1MW 01	150	54	7800	5000	0,7	5	Osram Duris E5	144	7001

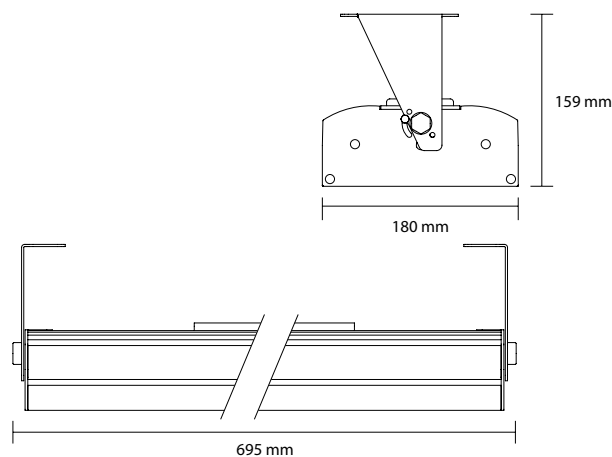
t = 40° C
 IEE = A++ / A
 EN 60598-1:2008 + A11:2009
 EN 60598-2-1:1989

⊥ IK08 IP65 CE

PHOTOMETRY



MDR 2MW RT

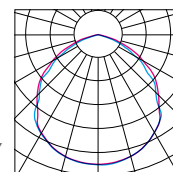


CODE	NUMBER OF LED	POWER W	FLUX Lm Tc = 25°C	COLOUR K	ELECTRICAL CURRENT mA	NET WEIGHT Kg	LED SOURCE	LIGHT EFFICIENCY lm/w	COLOUR RAL
MDR 2MW 00	150	108	15600	4000	0,7	10	Osram Duris E5	144	7001
MDR 2MW 01	150	108	15600	5000	0,7	10	Osram Duris E5	144	7001

t = 40° C
 IEE = A++ / A
 EN 60598-1:2008 + A11:2009
 EN 60598-2-1:1989

⊥ IK08 IP65 CE

PHOTOMETRY



OPTIONAL COLOUR

□ WHITE RAL 9003 ■ BLACK RAL 9005