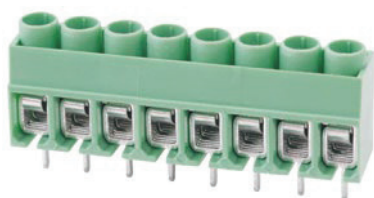
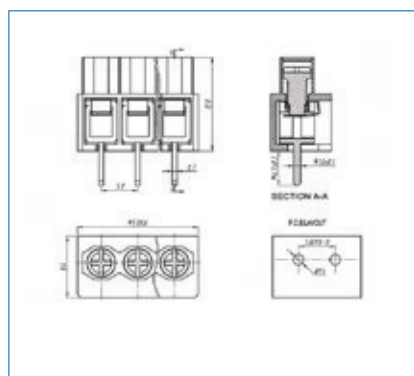




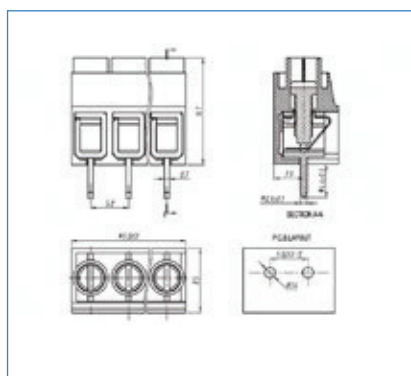
MLR51-V

5 mm
2÷24
M2.5
PA66, UL 94V0
250V
24A
2,5 mm ² 26÷14 AWG
-40°C + 105°C
0,4Nm (3,6 Lb in)
7 mm
GN(green)
BK (nero - black) / GY (grigio chiaro/light grey)



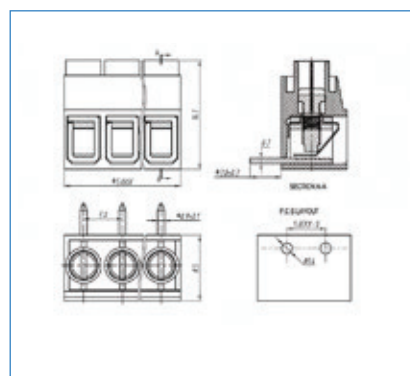
MMR52-V

5 mm
2÷24
M2.5
PA66, UL 94V0
250V
24A
2,5 mm ² 26÷14 AWG
-40°C + 105°C
0,4Nm (3,6 Lb in)
7 mm
GN(green)
BK (nero - black) / GY (grigio chiaro/light grey)



MMR52-H

5 mm
2÷24
M2.5
PA66, UL 94V0
250V
24A
2,5 mm ² 26÷14 AWG
-40°C + 105°C
0,4Nm (3,6 Lb in)
7 mm
GN(green)
BK (nero - black) / GY (grigio chiaro/light grey)



MLR512-5-V	MMR522-5-V	MMR522-5-H
MLR513-5-V	MMR523-5-V	MMR523-5-H
MLR514-5-V	MMR524-5-V	MMR524-5-H
MLR515-5-V	MMR525-5-V	MMR525-5-H
MLR516-5-V	MMR526-5-V	MMR526-5-H
MLR517-5-V	MMR527-5-V	MMR527-5-H
MLR518-5-V	MMR528-5-V	MMR528-5-H
MLR519-5-V	MMR529-5-V	MMR529-5-H
MLR5110-5-V	MMR5210-5-V	MMR5210-5-H
MLR5111-5-V	MMR5211-5-V	MMR5211-5-H
MLR5112-5-V	MMR5212-5-V	MMR5212-5-H
MLR5113-5-V	MMR5213-5-V	MMR5213-5-H
MLR5114-5-V	MMR5214-5-V	MMR5214-5-H
MLR5115-5-V	MMR5215-5-V	MMR5215-5-H
MLR5116-5-V	MMR5216-5-V	MMR5216-5-H
MLR5117-5-V	MMR5217-5-V	MMR5217-5-H
MLR5118-5-V	MMR5218-5-V	MMR5218-5-H
MLR5119-5-V	MMR5219-5-V	MMR5219-5-H
MLR5120-5-V	MMR5220-5-V	MMR5220-5-H
MLR5121-5-V	MMR5221-5-V	MMR5221-5-H
MLR5122-5-V	MMR5222-5-V	MMR5222-5-H
MLR5123-5-V	MMR5223-5-V	MMR5223-5-H
MLR5124-5-V	MMR5224-5-V	MMR5224-5-H