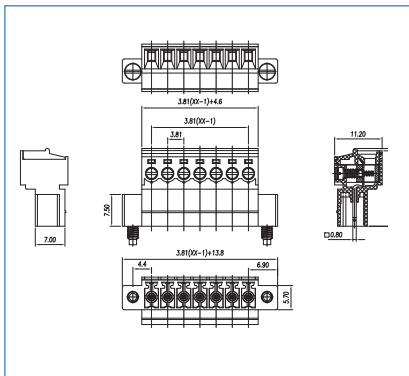




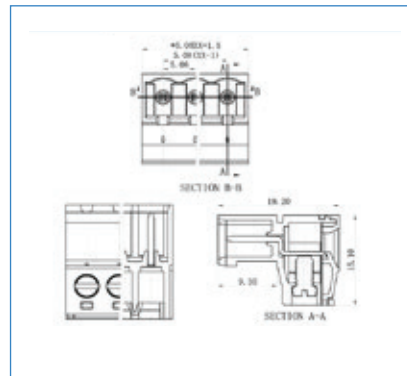
CRS-F

| |
|---|
| 3,81 mm |
| 2÷22 |
| M2.0 |
| PA66, UL 94V0 |
| 250V |
| 7A |
| 1,5 mm ² 28÷16 AWG |
| -40°C + 105°C |
| 0,2Nm (1,8 Lb in) |
| 7 mm |
| |
| |
| GN(green) |
| BK (nero - black) / GY (grigio chiaro/light grey) |



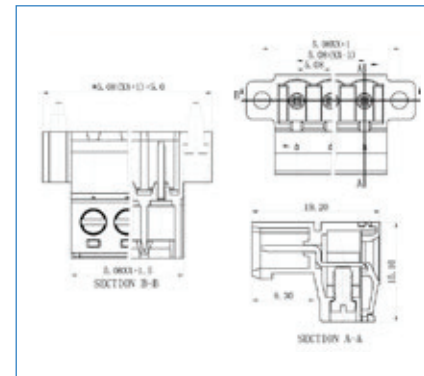
CRS

| |
|---|
| 5,08 mm |
| 2÷24 |
| M3 |
| PA66, UL 94V0 |
| 450V |
| 20A |
| 2,5 mm ² 28÷14 AWG |
| -40°C + 105°C |
| 0,5Nm (4,5 Lb in) |
| 7 mm |
| |
| |
| 15A-300V |
| GN(green) |
| BK (nero - black) / GY (grigio chiaro/light grey) |



CRS-F

| |
|---|
| 5,08 mm |
| 2÷22 |
| M3 |
| PA66, UL 94V0 |
| 450V |
| 20A |
| 2,5 mm ² 28÷14 AWG |
| -40°C + 105°C |
| 0,5Nm (4,5 Lb in) |
| 7 mm |
| |
| |
| 15A-300V |
| GN(green) |
| BK (nero - black) / GY (grigio chiaro/light grey) |



| | | |
|--------------|------------|--------------|
| CRS02-3.81-F | CRS02-5.08 | CRS02-5.08-F |
| CRS03-3.81-F | CRS03-5.08 | CRS03-5.08-F |
| CRS04-3.81-F | CRS04-5.08 | CRS04-5.08-F |
| CRS05-3.81-F | CRS05-5.08 | CRS05-5.08-F |
| CRS06-3.81-F | CRS06-5.08 | CRS06-5.08-F |
| CRS07-3.81-F | CRS07-5.08 | CRS07-5.08-F |
| CRS08-3.81-F | CRS08-5.08 | CRS08-5.08-F |
| CRS09-3.81-F | CRS09-5.08 | CRS09-5.08-F |
| CRS10-3.81-F | CRS10-5.08 | CRS10-5.08-F |
| CRS11-3.81-F | CRS11-5.08 | CRS11-5.08-F |
| CRS12-3.81-F | CRS12-5.08 | CRS12-5.08-F |
| CRS13-3.81-F | CRS13-5.08 | CRS13-5.08-F |
| CRS14-3.81-F | CRS14-5.08 | CRS14-5.08-F |
| CRS15-3.81-F | CRS15-5.08 | CRS15-5.08-F |
| CRS16-3.81-F | CRS16-5.08 | CRS16-5.08-F |
| CRS17-3.81-F | CRS17-5.08 | CRS17-5.08-F |
| CRS18-3.81-F | CRS18-5.08 | CRS18-5.08-F |
| CRS19-3.81-F | CRS19-5.08 | CRS19-5.08-F |
| CRS20-3.81-F | CRS20-5.08 | CRS20-5.08-F |
| CRS21-3.81-F | CRS21-5.08 | CRS21-5.08-F |
| CRS22-3.81-F | CRS22-5.08 | CRS22-5.08-F |
| | CRS23-5.08 | |
| | CRS24-5.08 | |