

CMK

3,81 mm
2÷24
PA66, UL 94V0
250V
7A
-40°C + 105°C
GN(green)
BK (nero - black) / GY (grigio chiaro/light grey)



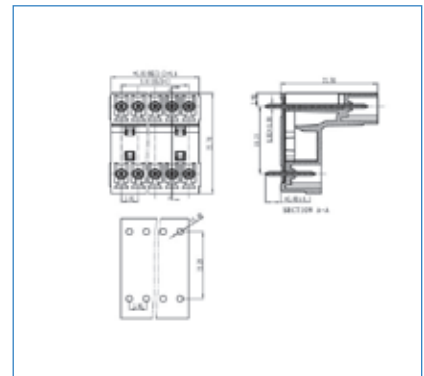
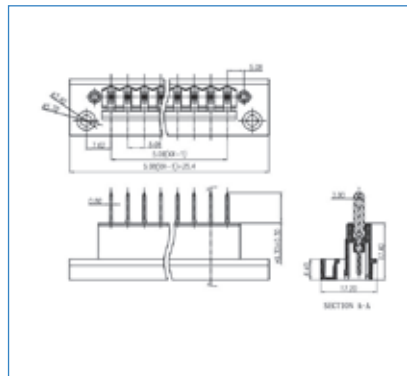
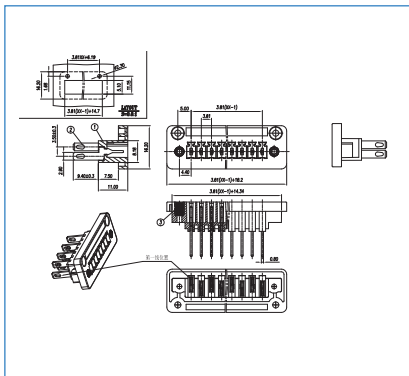
CMK

5,08 mm
2÷24
PA66, UL 94V0
450V
20A
-40°C + 105°C
7 mm
GN(green)
BK (nero - black) / GY (grigio chiaro/light grey)



CMD-V

3,5 mm	3,81 mm
2+2÷24+24	
PA66, UL 94V0	
250V	
7A	
-40°C + 105°C	
8A-300V	
GN(green)	
BK (nero - black) / GY (grigio chiaro/light grey)	



CMK02-3.81	CMK02-5.08	CMD02-3.5-V	CMD02-3.81-V
CMK03-3.81	CMK03-5.08	CMD03-3.5-V	CMD03-3.81-V
CMK04-3.81	CMK04-5.08	CMD04-3.5-V	CMD04-3.81-V
CMK05-3.81	CMK05-5.08	CMD05-3.5-V	CMD05-3.81-V
CMK06-3.81	CMK06-5.08	CMD06-3.5-V	CMD06-3.81-V
CMK07-3.81	CMK07-5.08	CMD07-3.5-V	CMD07-3.81-V
CMK08-3.81	CMK08-5.08	CMD08-3.5-V	CMD08-3.81-V
CMK09-3.81	CMK09-5.08	CMD09-3.5-V	CMD09-3.81-V
CMK10-3.81	CMK10-5.08	CMD10-3.5-V	CMD10-3.81-V
CMK11-3.81	CMK11-5.08	CMD11-3.5-V	CMD11-3.81-V
CMK12-3.81	CMK12-5.08	CMD12-3.5-V	CMD12-3.81-V
CMK13-3.81	CMK13-5.08	CMD13-3.5-V	CMD13-3.81-V
CMK14-3.81	CMK14-5.08	CMD14-3.5-V	CMD14-3.81-V
CMK15-3.81	CMK15-5.08	CMD15-3.5-V	CMD15-3.81-V
CMK16-3.81	CMK16-5.08	CMD16-3.5-V	CMD16-3.81-V
CMK17-3.81	CMK17-5.08	CMD17-3.5-V	CMD17-3.81-V
CMK18-3.81	CMK18-5.08	CMD18-3.5-V	CMD18-3.81-V
CMK19-3.81	CMK19-5.08	CMD19-3.5-V	CMD19-3.81-V
CMK20-3.81	CMK20-5.08	CMD20-3.5-V	CMD20-3.81-V
CMK21-3.81	CMK21-5.08	CMD21-3.5-V	CMD21-3.81-V
CMK22-3.81	CMK22-5.08	CMD22-3.5-V	CMD22-3.81-V
CMK23-3.81	CMK23-5.08	CMD23-3.5-V	CMD23-3.81-V
CMK24-3.81	CMK24-5.08	CMD24-3.5-V	CMD24-3.81-V