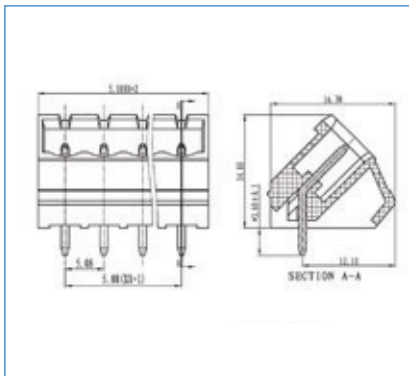


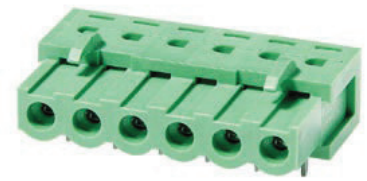
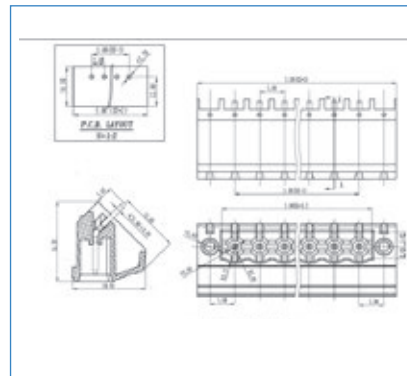
### CMI-C

5,08 mm
2÷24
PA66, UL 94V0
450V
20A
-40°C + 105°C
15A-300V
GN(green)
BK (nero - black) / GY (grigio chiaro/light grey)



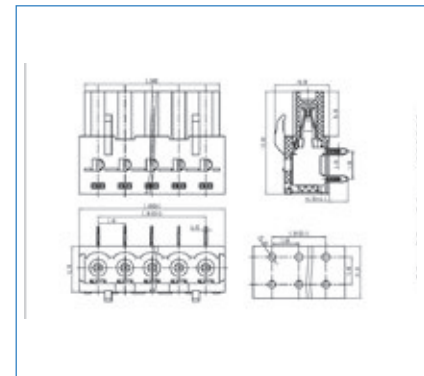
### CMI-F

5,08 mm
2÷22
PA66, UL 94V0
450V
20A
-40°C + 105°C
15A-300V
GN(green)
BK (nero - black) / GY (grigio chiaro/light grey)



### CMA-H

3,81 mm
2÷24
PA66, UL 94V0
250V
10A
-40°C + 105°C
15A-300V
GN(green)
BK (nero - black) / GY (grigio chiaro/light grey)



CMI02-5.08-C	CMI02-5.08-F	CMA02-3.81-H
CMI03-5.08-C	CMI03-5.08-F	CMA03-3.81-H
CMI04-5.08-C	CMI04-5.08-F	CMA04-3.81-H
CMI05-5.08-C	CMI05-5.08-F	CMA05-3.81-H
CMI06-5.08-C	CMI06-5.08-F	CMA06-3.81-H
CMI07-5.08-C	CMI07-5.08-F	CMA07-3.81-H
CMI08-5.08-C	CMI08-5.08-F	CMA08-3.81-H
CMI09-5.08-C	CMI09-5.08-F	CMA09-3.81-H
CMI10-5.08-C	CMI10-5.08-F	CMA10-3.81-H
CMI11-5.08-C	CMI11-5.08-F	CMA11-3.81-H
CMI12-5.08-C	CMI12-5.08-F	CMA12-3.81-H
CMI13-5.08-C	CMI13-5.08-F	CMA13-3.81-H
CMI14-5.08-C	CMI14-5.08-F	CMA14-3.81-H
CMI15-5.08-C	CMI15-5.08-F	CMA15-3.81-H
CMI16-5.08-C	CMI16-5.08-F	CMA16-3.81-H
CMI17-5.08-C	CMI17-5.08-F	CMA17-3.81-H
CMI18-5.08-C	CMI18-5.08-F	CMA18-3.81-H
CMI19-5.08-C	CMI19-5.08-F	CMA19-3.81-H
CMI20-5.08-C	CMI20-5.08-F	CMA20-3.81-H
CMI21-5.08-C	CMI21-5.08-F	CMA21-3.81-H
CMI22-5.08-C	CMI22-5.08-F	CMA22-3.81-H
CMI23-5.08-C	CMI23-5.08-F	CMA23-3.81-H
CMI24-5.08-C	CMI24-5.08-F	CMA24-3.81-H