

**SERIE/PRODUCT SERIES**

Passo / Pitch(mm)/ Rastermaß  
 Poli monoblocco/single mold poles/Polzahl

Vite / Screw / Schraube  
 Corpo isolante / Housing / Gehäuse

Tensione nominale/Rated Voltage/Nennspannung  
 Corrente Nominale/Rated Current/Nennstrom  
 Sezione Nominale/Wire section / Nenn querschnitt

Temperatura / Temperature / Temperatur  
 Coppia di torsione / Torque / Anzugsdrehmoment  
 Lunghezza spellatura/ Stripping length/ Abisolierlänge

VDE  
 UL - cUL (file n. E342315)

\*Colore standard/ Standard colour/ Standardfarbe  
 Colori a richiesta/ Colours on request/ Farben auf Anfrage  
 \*= da non specificare sul codice di ordinazione  
 Do not specify on ordering code  
 Muss im Bestellcode nicht angegeben werden

Per evitare sbalzi tra i morsetti ed i fori sul c.s. bisogna prevedere una interruzione quando il n. di poli è superiore a 30.

To avoid loss of pitch between terminal block and pcb it is necessary to interrupt the terminal row by poles higher than 30

Die Polzahl sollte maximal 30 betragen damit das Rastermaß von PCB und Leiterplattenklemme noch übereinstimmen

**COME ORDINARE  
 HOW TO ORDER / BESTELLNUMMER**

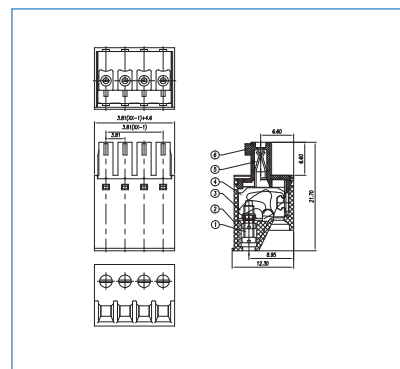
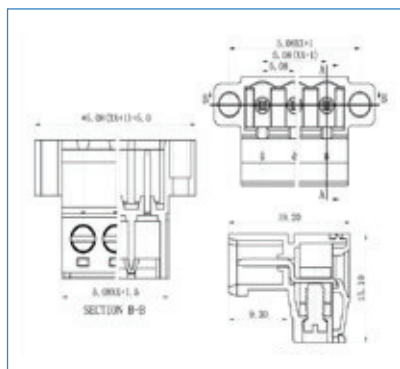
Series	n. poles	pitch	version	color	custom

**CRS-G**

5,08 mm
2÷22
M3
PA66, UL 94V0
450V
20A
2,5 mm <sup>2</sup> 28÷14 AWG
-40°C + 105°C
0,5Nm (4,5 Lb in)
7 mm
15A-300V
GN(green)
BK (nero - black) / GY (grigio chiaro/light grey)

**CFF**

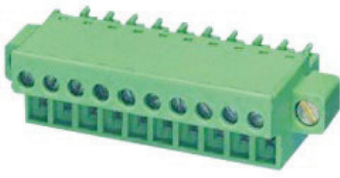
3,81 mm
2÷24
M2.0
PA66, UL 94V0
250V
7A
1,5 mm <sup>2</sup> 28÷16 AWG
-40°C + 105°C
0,2Nm (1,8 Lb in)
7 mm
GN(green)
BK (nero - black) / GY (grigio chiaro/light grey)



**PASSO / PITCH / RASTERMAß**

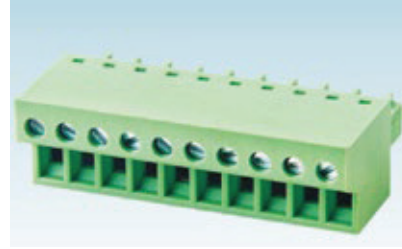
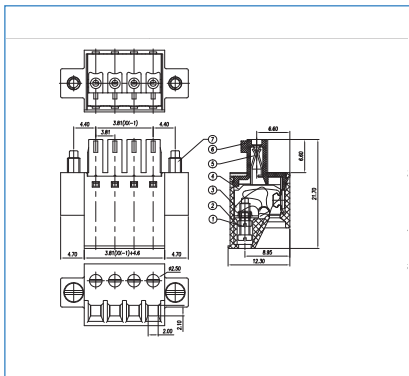
2 POLI	CRS02-5.08-G	CFF02-3.81
3 POLI	CRS03-5.08-G	CFF03-3.81
	CRS04-5.08-G	CFF04-3.81
	CRS05-5.08-G	CFF05-3.81
	CRS06-5.08-G	CFF06-3.81
	CRS07-5.08-G	CFF07-3.81
	CRS08-5.08-G	CFF08-3.81
	CRS09-5.08-G	CFF09-3.81
	CRS10-5.08-G	CFF10-3.81
	CRS11-5.08-G	CFF11-3.81
	CRS12-5.08-G	CFF12-3.81
	CRS13-5.08-G	CFF13-3.81
	CRS14-5.08-G	CFF14-3.81
	CRS15-5.08-G	CFF15-3.81
	CRS16-5.08-G	CFF16-3.81
	CRS17-5.08-G	CFF17-3.81
	CRS18-5.08-G	CFF18-3.81
	CRS19-5.08-G	CFF19-3.81
	CRS20-5.08-G	CFF20-3.81
	CRS21-5.08-G	CFF21-3.81
	CRS22-5.08-G	CFF22-3.81
		CFF23-3.81
		CFF24-3.81

24 POLI



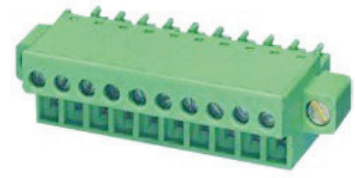
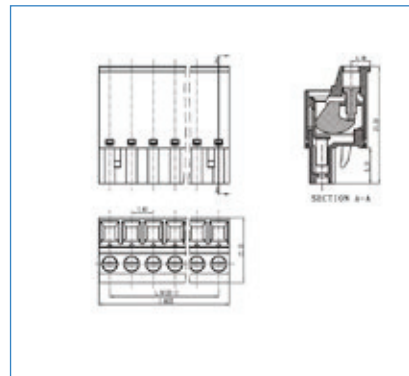
CFF-F

3,81 mm
2÷22
M2.0
PA66, UL 94V0
250V
7A
1,5 mm <sup>2</sup> 28÷16 AWG
-40°C + 105°C
0,2Nm (1,8 Lb in)
7 mm
GN(green)
BK (nero - black) / GY (grigio chiaro/light grey)



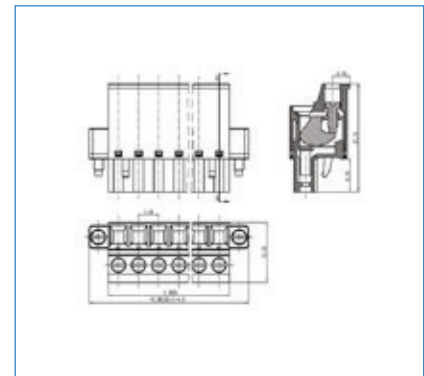
CFF

5,08 mm
2÷24
M2.0
PA66, UL 94V0
450V
20A
2,5 mm <sup>2</sup> 28÷14 AWG
-40°C + 105°C
0,2Nm (1,8 Lb in)
7 mm
15A-300V
GN(green)
BK (nero - black) / GY (grigio chiaro/light grey)



CFF-F

5,08 mm
2÷22
M2.0
PA66, UL 94V0
450V
20A
2,5 mm <sup>2</sup> 28÷14 AWG
-40°C + 105°C
0,2Nm (1,8 Lb in)
7 mm
15A-300V
GN(green)
BK (nero - black) / GY (grigio chiaro/light grey)



CFF02-3.81-F	CFF02-5.08	CFF02-5.08-F
CFF03-3.81-F	CFF03-5.08	CFF03-5.08-F
CFF04-3.81-F	CFF04-5.08	CFF04-5.08-F
CFF05-3.81-F	CFF05-5.08	CFF05-5.08-F
CFF06-3.81-F	CFF06-5.08	CFF06-5.08-F
CFF07-3.81-F	CFF07-5.08	CFF07-5.08-F
CFF08-3.81-F	CFF08-5.08	CFF08-5.08-F
CFF09-3.81-F	CFF09-5.08	CFF09-5.08-F
CFF10-3.81-F	CFF10-5.08	CFF10-5.08-F
CFF11-3.81-F	CFF11-5.08	CFF11-5.08-F
CFF12-3.81-F	CFF12-5.08	CFF12-5.08-F
CFF13-3.81-F	CFF13-5.08	CFF13-5.08-F
CFF14-3.81-F	CFF14-5.08	CFF14-5.08-F
CFF15-3.81-F	CFF15-5.08	CFF15-5.08-F
CFF16-3.81-F	CFF16-5.08	CFF16-5.08-F
CFF17-3.81-F	CFF17-5.08	CFF17-5.08-F
CFF18-3.81-F	CFF18-5.08	CFF18-5.08-F
CFF19-3.81-F	CFF19-5.08	CFF19-5.08-F
CFF20-3.81-F	CFF20-5.08	CFF20-5.08-F
CFF21-3.81-F	CFF21-5.08	CFF21-5.08-F
CFF22-3.81-F	CFF22-5.08	CFF22-5.08-F
	CFF23-5.08	
	CFF24-5.08	