

SERIE/PRODUCT SERIES

Passo / Pitch(mm)/ Rastermaß
 Poli monoblocco/single mold poles/Polzahl

Vite / Screw / Schraube
 Corpo isolante / Housing / Gehäuse

Tensione nominale/Rated Voltage/Nennspannung
 Corrente Nominale/Rated Current/Nennstrom
 Sezione Nominale/Wire section / Nenn querschnitt

Temperatura / Temperature / Temperatur
 Coppia di torsione / Torque / Anzugsdrehmoment
 Lunghezza spellatura/ Stripping length/ Abisolierlänge

VDE
 UL - cUL (file n. E342315)

*Colore standard/ Standard colour/ Standardfarbe
 Colori a richiesta/ Colours on request/ Farben auf Anfrage
 *= da non specificare sul codice di ordinazione
 Do not specify on ordering code
 Muss im Bestellcode nicht angegeben werden

Per evitare sbalzi tra i morsetti ed i fori sul c.s.
 bisogna prevedere una interruzione quando
 il n. di poli è superiore a 30.

To avoid loss of pitch between terminal block
 and pcb it is necessary to interrupt the terminal
 row by poles higher than 30

Die Polzahl sollte maximal 30 betragen damit das
 Rastermaß von PCB und Leiterplattenklemme
 noch übereinstimmen

**COME ORDINARE
 HOW TO ORDER / BESTELLNUMMER**

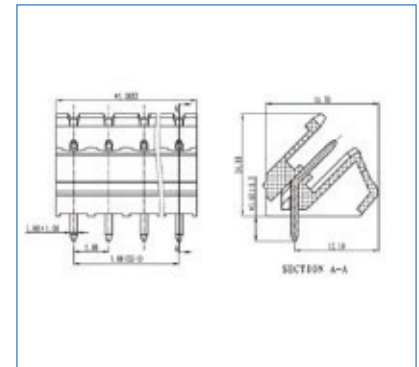
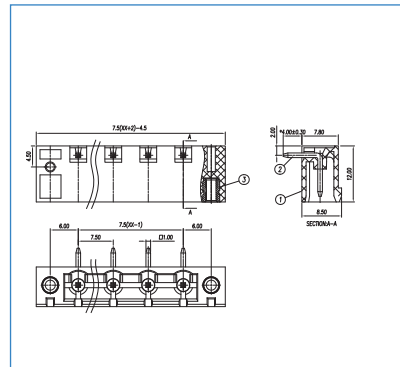
Series	n. poles	pitch	version	color	custom

CCM-HF

7,5 mm	7,62 mm
2÷22	
PA66, UL 94V0	
450V	20A
-40°C + 105°C	
15A-300V	
GN(green)	
BK (nero - black) / GY (grigio chiaro/light grey)	

CMI

5,08 mm
2÷24
PA66, UL 94V0
450V
20A
-40°C + 105°C
15A-300V
GN(green)
BK (nero - black) / GY (grigio chiaro/light grey)



PASSO / PITCH / RASTERMAß

2 POLI	CCM02-7.5-HF	CCM02-7.62-HF	CMI02-5.08
3 POLI	CCM03-7.5-HF	CCM03-7.62-HF	CMI03-5.08
	CCM04-7.5-HF	CCM04-7.62-HF	CMI04-5.08
	CCM05-7.5-HF	CCM05-7.62-HF	CMI05-5.08
	CCM06-7.5-HF	CCM06-7.62-HF	CMI06-5.08
	CCM07-7.5-HF	CCM07-7.62-HF	CMI07-5.08
	CCM08-7.5-HF	CCM08-7.62-HF	CMI08-5.08
	CCM09-7.5-HF	CCM09-7.62-HF	CMI09-5.08
	CCM10-7.5-HF	CCM10-7.62-HF	CMI10-5.08
	CCM11-7.5-HF	CCM11-7.62-HF	CMI11-5.08
	CCM12-7.5-HF	CCM12-7.62-HF	CMI12-5.08
	CCM13-7.5-HF	CCM13-7.62-HF	CMI13-5.08
	CCM14-7.5-HF	CCM14-7.62-HF	CMI14-5.08
	CCM15-7.5-HF	CCM15-7.62-HF	CMI15-5.08
	CCM16-7.5-HF	CCM16-7.62-HF	CMI16-5.08
	CCM17-7.5-HF	CCM17-7.62-HF	CMI17-5.08
	CCM18-7.5-HF	CCM18-7.62-HF	CMI18-5.08
	CCM19-7.5-HF	CCM19-7.62-HF	CMI19-5.08
	CCM20-7.5-HF	CCM20-7.62-HF	CMI20-5.08
	CCM21-7.5-HF	CCM21-7.62-HF	CMI21-5.08
	CCM22-7.5-HF	CCM22-7.62-HF	CMI22-5.08
			CMI23-5.08
24 POLI			CMI24-5.08