



Rocker switches



B10 Series






Square cut out - 27X12
ENEC electrical rating up to 16A

- Two-coloured push-button available
- Splash proof body
- Push-button version available
- Applications: ironing systems

Products

Customising on demand

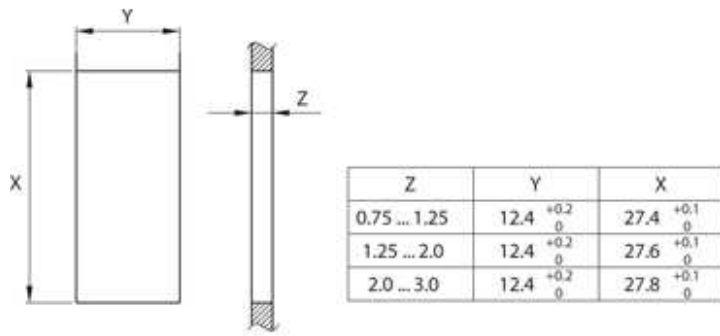
Electrical features

ENEC electrical rating up to	16A
Electro-mechanical cycles number up to	50.000
Room temperature up to	120 °C
Flammability	UL 94 V2
Heat and fire resistance	GWFI 850 °C GWIT 750 °C on demand
Contact gap	≥ 3 mm
Approvals available (to check according to the rating of each single material code)	    
Reference standards	EN 61058 UL 1054

Wiring diagrams

- Normally closed single-pole momentary switch
- Single-pole intermediate switch
- Single-pole momentary switch
- Single-pole switch
- Single-pole two-way momentary switch
- Single-pole two-way switch

Cut out (mm)



Stampa scheda