

PERFECT cable gland

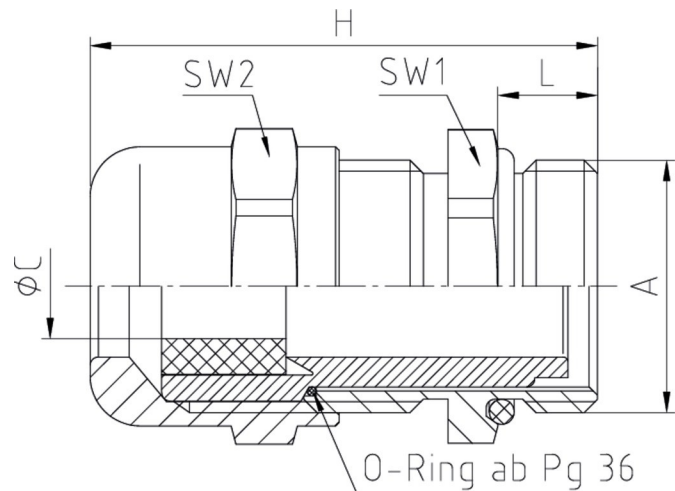
50.0xx R

Dome nut	Brass CuZn39Pb3, nickel-plated
Lamellar insert	Polyamide PA6 V-2
Sealing ring	Polychloroprene-Nitrile rubber CR/NBR
Gland body	Brass CuZn39Pb3, nickel-plated
O-ring	Nitrile rubber NBR
Connecting thread	Pg as per DIN 40430




Properties

	<ul style="list-style-type: none"> reducing sealing ring for small cable diameter integrated anchorage protection against twisting, wide sealing and clamping range easy-to-install
Temperature range (°C)	-20°C / +100°C (dynamic) -40°C (static, short term)
Protection grade	68 5



Features

Connecting thread standard length

A	ØC	L	SW1	SW2	H		Part No.
Pg 7	2 - 5	5	14	14	24	100	50.007 R
Pg 9	2 - 6	6	17	17	29	100	50.009 R
Pg 11	3 - 7	6	20	20	29,5	50	50.011 R
Pg 13,5	5 - 9	6,5	22	22	31,5	50	50.013 R
Pg 16	7 - 12	6,5	24	24	31,5	50	50.016 R
Pg 21	9 - 16	7	30	30	34	50	50.021 R
Pg 29	12 - 20	8	40	40	39	50	50.029 R
Pg 36	20 - 26	9	50	50	45	10	50.036 R